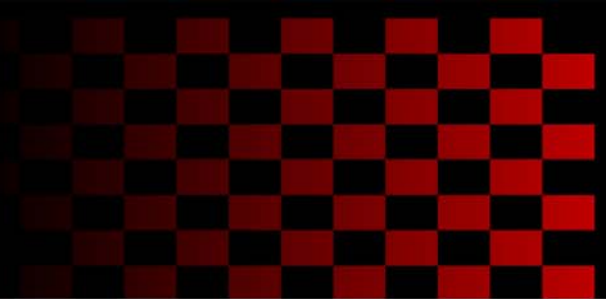




# COTA 4RT 2005

## PART LIST CATALOGUE



FOUR STROKE RACING TRIAL

**COTA**4RT

---

**MONTESA HONDA, S. A.**

PART LIST

**2005 COTA 4RT**

---

**ILLUSTRATION MANAGEMENT NUMBER (IDENTIFICATION)  
FOR '05 COTA 4RT PARTS LIST**

ENGINE GROUP	ILLUSTRATION NUMBER	FRAME GROUP	ILLUSTRATION NUMBER	
E-1	Cylinder head.....	E-1	F-1	Cable - Switch.....
E-2	Camshaft - Valve.....	E-2	F-2	Front brake master cylinder .....
E-3	Camchain - Tensioner .....	E-3	F-3	Clutch master cylinder .....
E-4	Cylinder .....	E-4	F-4	Steering handle pipe - Top bridge .....
E-5	R. Crankcase cover.....	E-5	F-5	Steering stem .....
E-6	Clutch .....	E-6	F-6	Front fender .....
E-7	Oil pump .....	E-7	F-7	Front fork.....
E-8	Water pump .....	E-8	F-8	Front brake caliper .....
E-9	L. Crankcase cover .....	E-9	F-9	Front wheel .....
E-10	Generator .....	E-10	F-10	Rear brake caliper .....
E-11	Crankcase.....	E-11	F-11	Rear brake master cylinder .....
E-12	Crankshaft - Piston .....	E-12	F-12	Rear wheel .....
E-13	Transmission.....	E-13	F-13	Fuel tank - Fuel pump .....
E-14	Gearshift drum .....	E-14	F-14	Rear fender .....
E-15	Kick starter spindle.....	E-15	F-15	Air cleaner.....
E-16	Throttle body - Injector .....	E-16	F-16	Exhaust muffler .....
			F-17	Pedal - Kick starter arm .....
			F-18	Stand - Step .....
			F-19	Swingarm.....
			F-20	Rear cushion .....
			F-21	Wire harness.....
			F-22	Radiator.....
			F-23	Frame body.....
			F-24	Emblem - Stripe .....

## CONTENTS OF '05 COTA 4RT PARTS LIST

INSTRUCTIONS FOR USE OF PARTS LIST .....	2
--	---

### ENGINE GROUP

E-1 Cylinder head.....	3
E-2 Camshaft - Valve.....	4
E-3 Camchain - Tensioner .....	5
E-4 Cylinder .....	6
E-5 R. Crankcase cover .....	7
E-6 Clutch .....	8
E-7 Oil pump .....	9
E-8 Water pump .....	10
E-9 L. Crankcase cover .....	11
E-10 Generator .....	12
E-11 Crankcase .....	13
E-12 Crankshaft - Piston .....	15
E-13 Transmission.....	16
E-14 Gearshift drum .....	17
E-15 Kick starter spindle.....	18
E-16 Throttle body - Injector .....	19

### FRAME GROUP

F-1 Cable - Switch.....	20
F-2 Front brake master cylinder .....	21
F-3 Clutch master cylinder .....	22
F-4 Steering handle pipe - Top bridge .....	23
F-5 Steering stem .....	24
F-6 Front fender .....	25
F-7 Front fork.....	26
F-8 Front brake caliper .....	27
F-9 Front wheel.....	28
F-10 Rear brake caliper .....	29
F-11 Rear brake master cylinder .....	30
F-12 Rear wheel .....	31
F-13 Fuel tank - Fuel pump .....	32
F-14 Rear fender .....	33
F-15 Air cleaner.....	34
F-16 Exhaust muffler .....	35
F-17 Pedal - Kick starter arm .....	36
F-18 Stand - Step .....	37
F-19 Swingarm.....	38
F-20 Rear cushion .....	40
F-21 Wire harness.....	41
F-22 Radiator .....	42
F-23 Frame body.....	43
F-24 Emblem - Stripe .....	44
Part No. Index.....	45

## INSTRUCTIONS FOR USE OF PARTS LIST

This parts list is to be used when ordering replacement parts. It contains all parts for model '05 - COTA 4RT.

### 1) HOW TO ORDER PARTS

\*Replacement parts orders must contain both the part number and the stamped number(s) as described below. This is because any changes and modifications of parts are registered at HONDA with the pertinent parts and stamped numbers.

\*If "N" is indicated in the quantity column, it indicates that the parts are to be used as required.

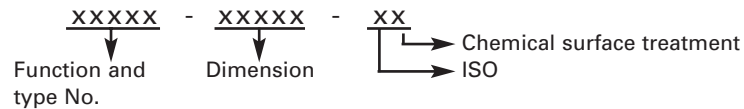
### 2) HOW TO READ THIS PARTS LIST

• Make-up of the number

\*General parts (Example)



\*Bolts, nuts and other standard parts (Example)



### \*Abbreviations

The following abbreviations are used in this parts list.

- A.C.....Alternating current
- ASSY. ....Assembly
- COMP. ....Complete
- G.....Gram
- L.....Left
- L (100L) .....Link (100 Links)
- mm.....Milimeter
- D. ....Right
- STD .....Standard
- T (22T).....Tooth (22 teeth)
- t .....Thickness (mm)

### \*Serial number

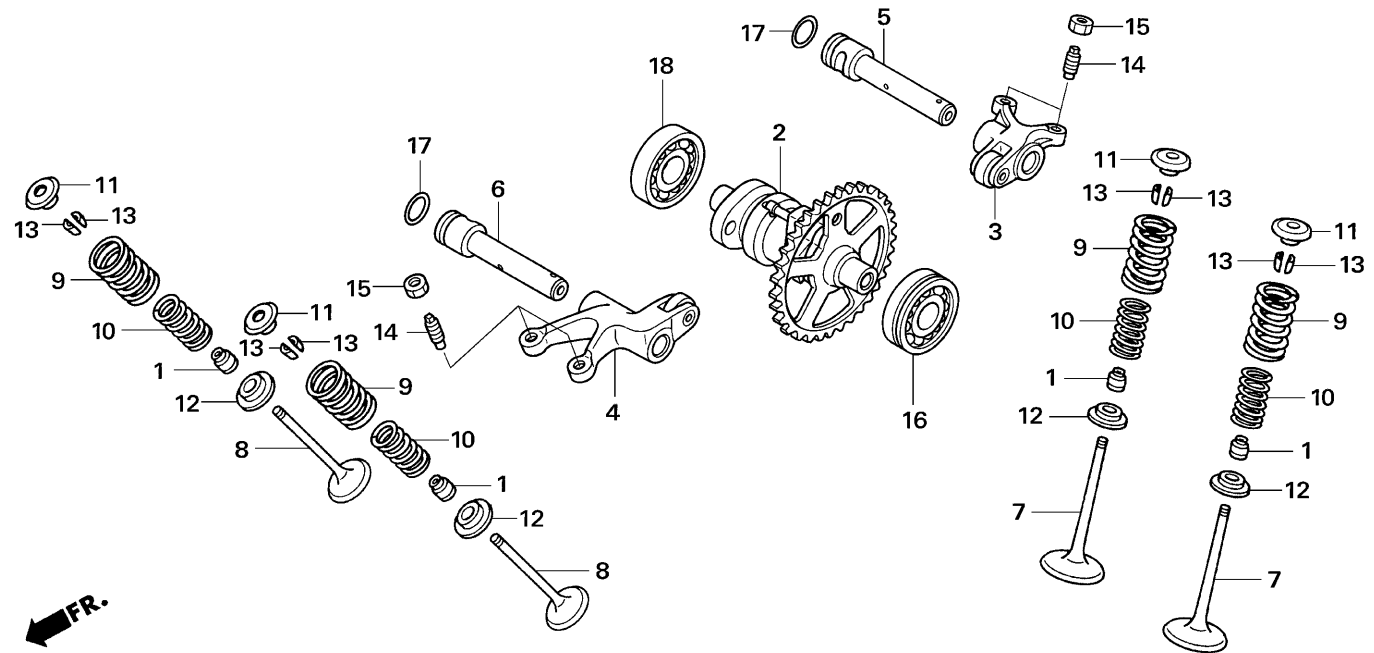
MODEL	TYPE	FRAME No.	ENGINE No.
'05 COTA 4RT	NN4	VTDMT04A05E000003	NN4E100002



Block No.

**E-2**

Camshaft  
Valve



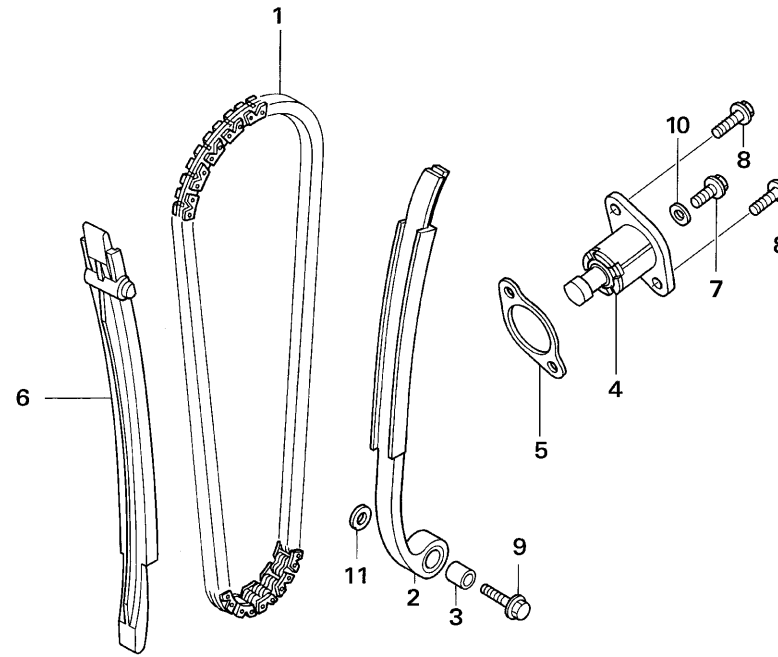
N° Ref.	N° Pieza	Descripción	Cant. '05	N° Ref.	N° Pieza	Descripción	Cant. '05
1	12209-ML0-722	SEAL VALVE STEM . . . . .	4	16	91007-NN4-003	BRG, BALL RADIAL 6201 SPL . . . . .	1
2	14100-NN4-000	SHAFT COMP., CAM . . . . .	1	17	91370-461-000	O-RING, 11.9X2.2 . . . . .	2
3	14430-NN4-000	ARM COMP, IN. ROCKER . . . . .	1	18	96100-62013-00	BRG, BALL RADIAL 6201 . . . . .	1
4	14440-NN4-000	ARM COMP., EXH. ROCKER. . . . .	1				
5	14450-NN4-000	SHAFT COMP, IN. ROCKER ARM . . . . .	1				
6	14460-NN4-000	SHAFT COMP, EX. ROCKER ARM. . . . .	1				
7	14711-NN4-000	VALVE, INLET . . . . .	2				
8	14721-NN4-000	VALVE, EXHAUST . . . . .	2				
9	14751-NN4-000	SPG, VALVE OUTER. . . . .	4				
10	14752-NN4-000	SPG, VALVE INNER . . . . .	4				
11	14771-KW3-900	RETAINER VALVE SPG. . . . .	4				
12	14776-NN4-000	SEAT, VALVE SPG . . . . .	4				
13	14781-ML0-720	COTTER, VALVE . . . . .	8				
14	90012-KK3-830	SCR., TAPPET ADJG . . . . .	4				
15	90206-250-000	NUT, TAPPET ADJG. . . . .	4				

Block No.

**E-3**

Camchain  
Tensioner

←FR.



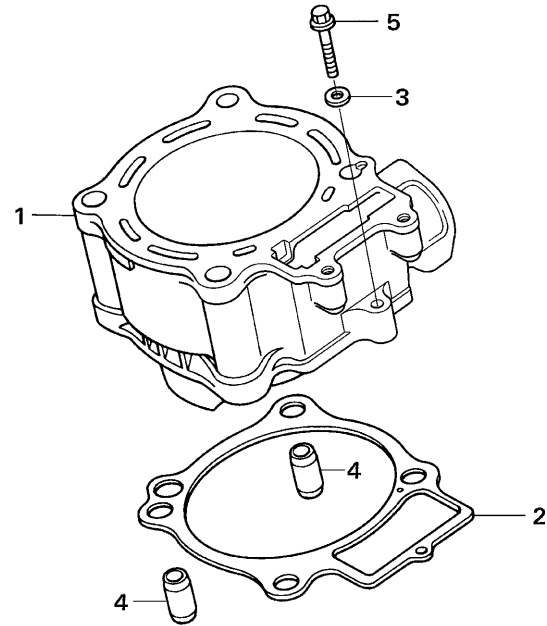
N° Ref.	N° Pieza	Descripción	Cant. '05	N° Ref.	N° Pieza	Descripción	Cant. '05
1	14401-NN4-003	CHAIN, CAM .....	1				
2	14510-NN4-000	TENSIONER COMP, CAM CHAIN .....	1				
3	14515-KF0-000	TENSIONER COLLAR .....	1				
4	14520-KRN-671	LIFTER ASSY., TENSIONER .....	1				
5	14560-MEN-671	GASKET, TENSIONER LIFTER .....	1				
6	14620-NN4-000	GUIDE, CAM CHAIN .....	1				
7	90004-GHB-600	BOLT, FLANGE, NSHF, 6X10 .....	1				
8	90004-GHB-630	BOLT, FLANGE, NSHF, 6X16 .....	2				
9	90088-MEB-670	BOLT, FLANGE 6X25 .....	1				
10	90442-397-000	WASHER, SEALING 6mm .....	1				
11	90482-567-000	WASHER, SPECIAL 6mm .....	1				



Block No.

**E-4**

Cylinder



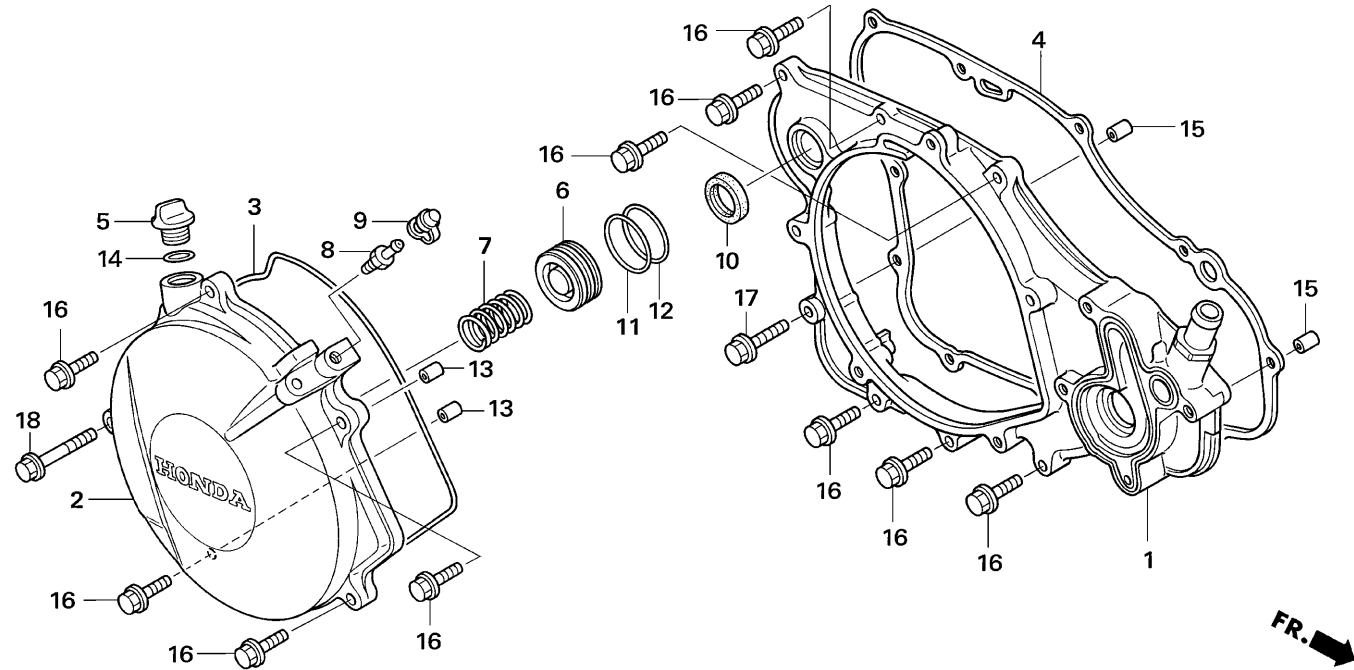
FR.

N° Ref.	N° Pieza	Descripción	Cant. '05	N° Ref.	N° Pieza	Descripción	Cant. '05
1	12100-NN4-000	CYLINDER . . . . .	1				
2	12191-NN4-003	GASKET, CYLINDER. . . . .	1				
3	90463-ML7-000	WASHER, SEALING, 6.5mm . . . . .	1				
4	94301-12200	PIN, DOWEL, 12X20. . . . .	2				
5	96001-06028-00	BOLT, FLANGE, 6X28. . . . .	1				

Block No.

# E-5

R. Crankcase cover

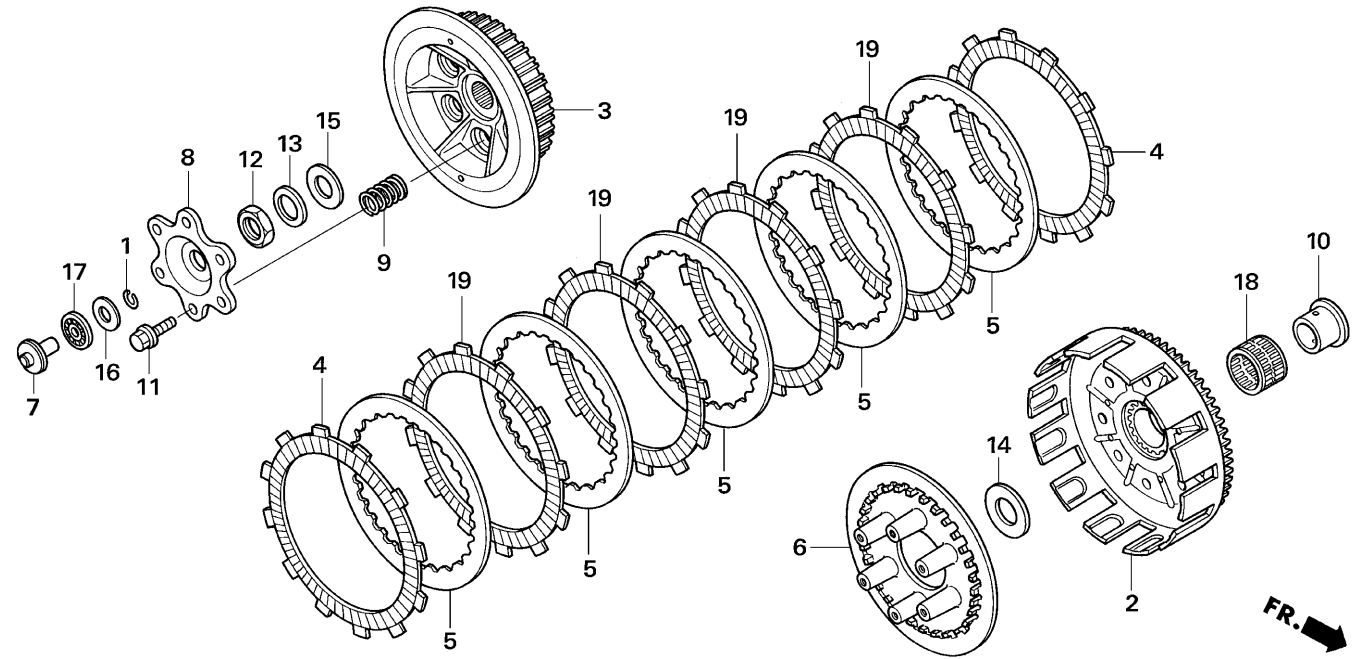


N° Ref.	N° Pieza	Descripción	Cant. '05	N° Ref.	N° Pieza	Descripción	Cant. '05
1	11330-NN4-000	COVER COMP., R. CRANK CASE	1	16	96001-06028-00	BOLT, FLANGE, 6X28	10
2	11350-NN4-000	COVER COMP., CLUTCH	1	17	96001-06035-00	BOLT, FLANGE, 6X35	1
3	11352-NN4-003	GASKET, CLUTCH COVER	1	18	96001-06055-00	BOLT, FLANGE, 6X55	1
4	11394-NN4-000	GASKET, R. COVER	1				
5	15611-KA3-710	CAP, OIL FILLER	1				
6	22863-NN3-000	PISTON COMP., SLAVE CYLN	1				
7	22864-NN3-000	SPG, SLAVE CYLN	1				
8	43352-568-003	SCREW, BLEEDER	1				
9	43353-461-771	CAP, BLEEDER	1				
10	91205-KA3-712	OIL SEAL, 16.5X25X5	1				
11	91312-371-013	O-RING, 23X2.1	1				
12	91312-NN3-003	O-RING, 21.8X2.4	1				
13	91320-KE1-000	PIN, DOWEL SPC. 8X7	2				
14	91305-PH7-003	O-RING, 11.9X2.2	1				
15	94301-08140	DOWEL PIN, 8X14	2				

Block No.

**E-6**

Clutch

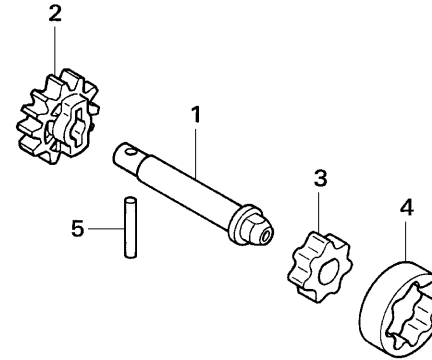


N° Ref.	N° Pieza	Descripción	Cant. '05	N° Ref.	N° Pieza	Descripción	Cant. '05
1	13115-147-000	CLIP, PISTON PIN 10mm	1	16	90608-072-000	WASHER 12mm	1
2	22100-NN4-000	OUTER COMP., CLUTCH	1	17	91001-147-003	BRG., NEEDLE 12mm	1
3	22121-NN4-000	CENTER, CLUTCH	1	18	91011-KS6-003	BRG., NEEDLE 25X29X22	1
4	22201-KY2-000	DISK, CLUTCH FRICTION	2	19	22201-MEL-000	DISK, CLUTCH FRICTION (paper)	4
5	22321-MG3-000	PLATE, CLUTCH	5				
6	22351-NN4-000	PLATE, CLUTCH PRESSURE	1				
7	22352-NN4-000	PIECE, CLUTCH LIFTER	1				
8	22361-NN4-000	PLATE, CLUTCH LIFTER	1				
9	22402-NN4-000	SPRING, CLUTCH	6				
10	28237-KZ4-A10	COLLAR, CLUTCH OUTER	1				
11	90004-GHB-660	BOLT, FLANGE, NSHF, 6X22	6				
12	90201-NN3-000	NUT, 18mm	1				
13	90432-KF0-000	WASHER LOCK	1				
14	90456-KS6-000	WASHER, THRUST, 20mm	1				
15	90501-ML3-910	WASHER, 18X32X2	1				

Block No.

**E-7**

Oil pump



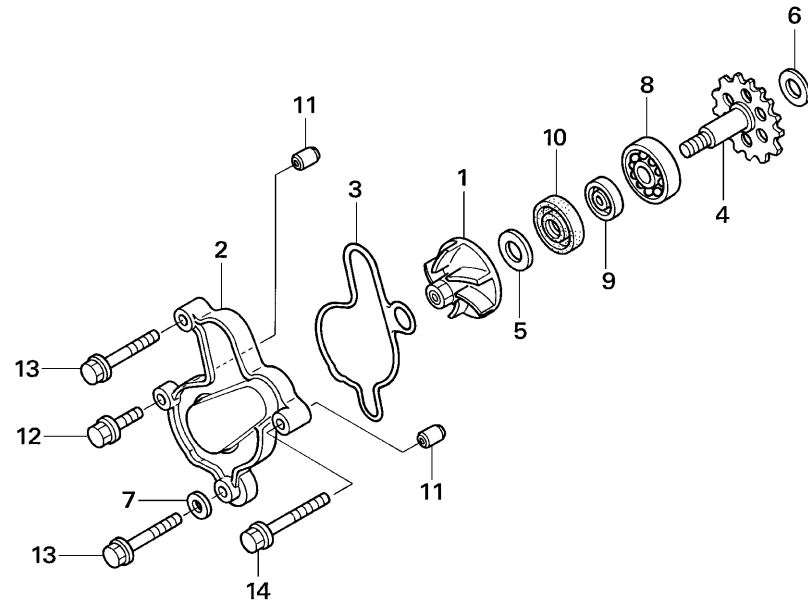
**FR.**

N° Ref.	N° Pieza	Descripción	Cant. '05	N° Ref.	N° Pieza	Descripción	Cant. '05
1	15111-NN4-000	SHAFT, OIL PUMP . . . . .	1				
2	15133-NN4-000	GEAR, OIL PUMP DRIVEN . . . . .	1				
3	15331-324-000	ROTOR INNER OIL PUMP . . . . .	1				
4	15332-324-000	ROTOR OUTER OIL PUMP. . . . .	1				
5	96220-30178	ROLLER, 3X17.8. . . . .	1				

Block No.

**E-8**

Water pump

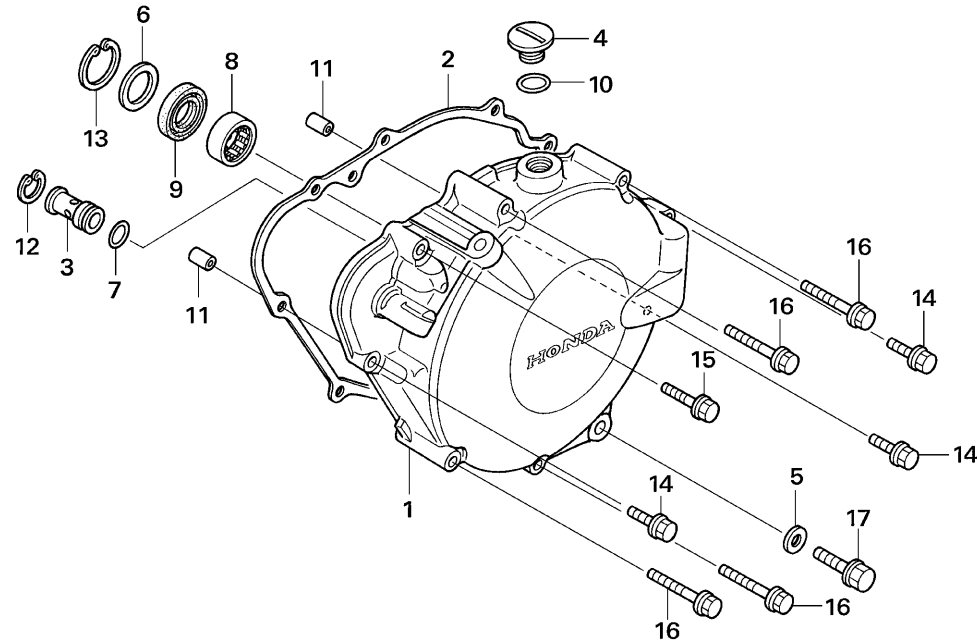


N° Ref.	N° Pieza	Descripción	Cant. '05	N° Ref.	N° Pieza	Descripción	Cant. '05
1	19215-GC4-731	IMPELLER, WATER PUMP	1				
2	19221-NN4-000	COVER, WATER PUMP	1				
3	19229-NN4-000	GASKET, W/P COVER	1				
4	19240-NN4-000	GEAR COMP., WATER PUMP	1				
5	90447-KE1-000	WASHER, SEALING, 7mm	1				
6	90456-333-000	WASHER, THRUST 11mm	1				
7	90463-ML7-000	WASHER, SEALING, 6.5mm	1				
8	91001-KA4-003	BRG., BALL, 12X28X7	1				
9	91201-148-003	OIL SEAL, 12X22X5	1				
10	91211-KA3-761	SEAL, WATER PUMP	1				
11	91320-KE1-000	PIN, DOWEL SPC. 8X7	2				
12	96001-06025-00	BOLT, FLANGE, 6X25	1				
13	96001-06050-00	BOLT, FLANGE, 6X50	2				
14	96001-06060-00	BOLT, FLANGE, 6X60	1				

Block No.

**E-9**

L. Crankcase cover



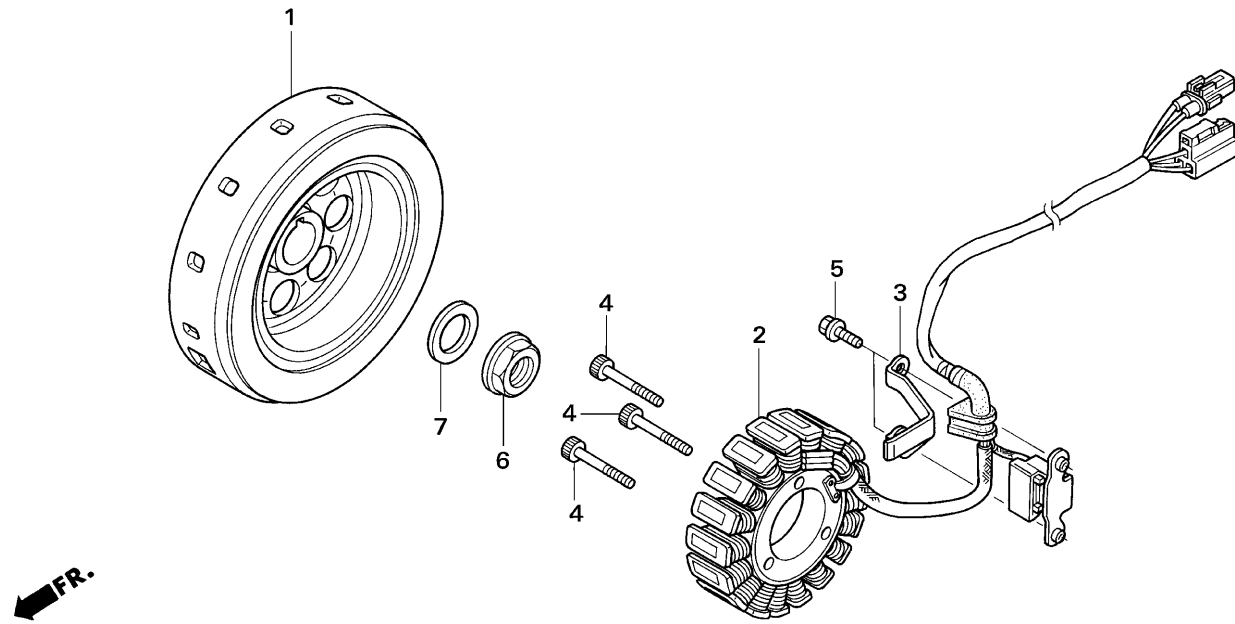
FR.

N° Ref.	N° Pieza	Descripción	Cant. '05	N° Ref.	N° Pieza	Descripción	Cant. '05
1	11340-NN4-010	COVER COMP., L. CRANK CASE	1	16	96001-06050-00	BOLT, FLANGE, 6X50	4
2	11395-NN4-000	GASKET, L. COVER	1	17	96300-08035-00	BOLT, FLANGE, DR, 8X35	1
3	15220-MEB-770	VALVE ASSY., RELIEF	1				
4	90084-428-000	CAP, ACG	1				
5	90441-ME9-000	WASHER, SEALING 8mm	1				
6	90454-GF9-000	WASHER, 20.2mm	1				
7	90751-GK1-003	O-RING 8.5X1.7	1				
8	91008-NN4-003	BRG, NEEDLE 15X25X12	1				
9	91202-NN4-003	OIL SEAL, 15X26X5	1				
10	91303-377-000	O-RING, 13.8X2.5	1				
11	94301-08100	PIN, DOWEL 8X10	2				
12	94520-14000	CIRCLIP, IN, 14	1				
13	94520-28000	CIRCLIP, IN, 28	1				
14	96001-06028-00	BOLT, FLANGE, 6X28	3				
15	96001-06035-00	BOLT, FLANGE, 6X35	1				

Block No.

**E-10**

Generator



N° Ref.	N° Pieza	Descripción	Cant. '05	N° Ref.	N° Pieza	Descripción	Cant. '05
1	31110-NN4-003	FLYWHEEL COMP. ....	1				
2	31120-NN4-003	STATOR COMP. ....	1				
3	31121-NN4-000	CLAMPER, ACG CORD. ....	1				
4	90001-NN4-000	BOLT, SOCKET 5X28 ....	3				
5	90005-896-000	BOLT, FLANGE 5X16 ....	2				
6	90201-NN4-000	NUT, FLANGE 18mm. ....	1				
7	90402-NN4-000	WASHER, 18mm ....	1				

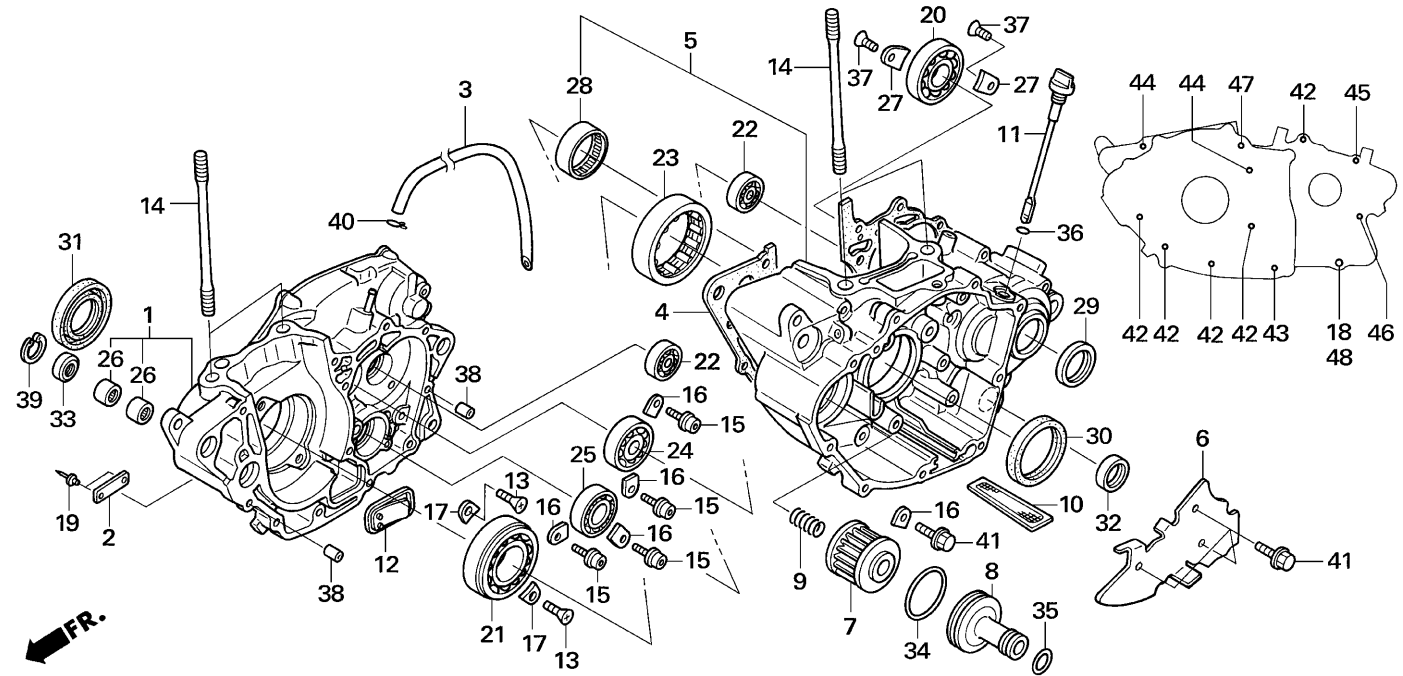




Block No.

**E-11**

Crankcase

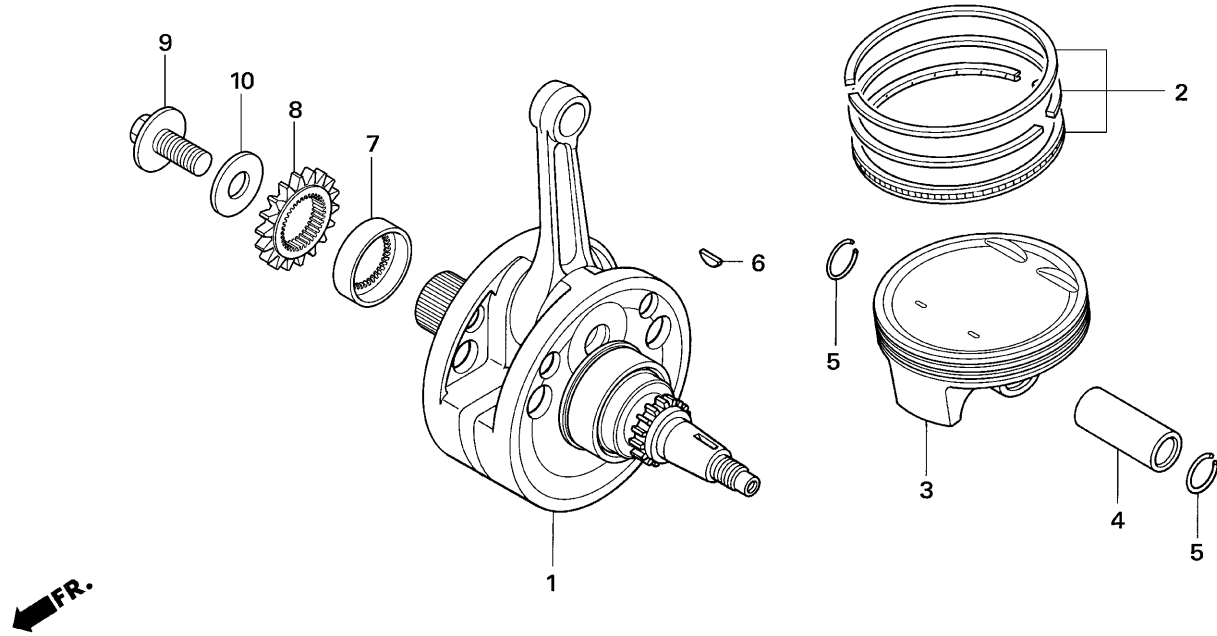


N° Ref.	N° Pieza	Descripción	Cant. '05	N° Ref.	N° Pieza	Descripción	Cant. '05
31	91202-MEB-671	OIL SEAL, 39X56X7	1	46	96001-06080-00	BOLT, FLANGE, 6X80	1
32	91203-KA4-771	OIL SEAL, 14X22X5	1	47	96001-06085-00	BOLT, FLANGE, 6X85	1
33	91204-HB3-004	OIL SEAL, 9X18X5	1	48	96300-08060-00	BOLT, FLANGE, DR, 8X60	1
34	91302-PA9-003	O-RING, 39.8X2.2	1				
35	91303-HA0-003	O-RING, 11X1.9	1				
36	91316-MJ8-003	O-RING, 8.4X2.4	1				
37	93600-06010-0H	SCREW, FLAT 6X10	2				
38	94301-08140	DOWEL PIN, 8X14	2				
39	94520-19000	CIRCLIP, IN, 19	1				
40	95002-02100	CLIP B10, TUBE	1				
41	96001-06014-00	BOLT, FLANGE, 6X14	4				
42	96001-06045-00	BOLT, FLANGE, 6X45	5				
43	96001-06055-00	BOLT, FLANGE, 6X55	1				
44	96001-06070-00	BOLT, FLANGE, 6X70	2				
45	96001-06075-00	BOLT, FLANGE, 6X75	1				

Block No.

**E-12**

Crankshaft  
Piston

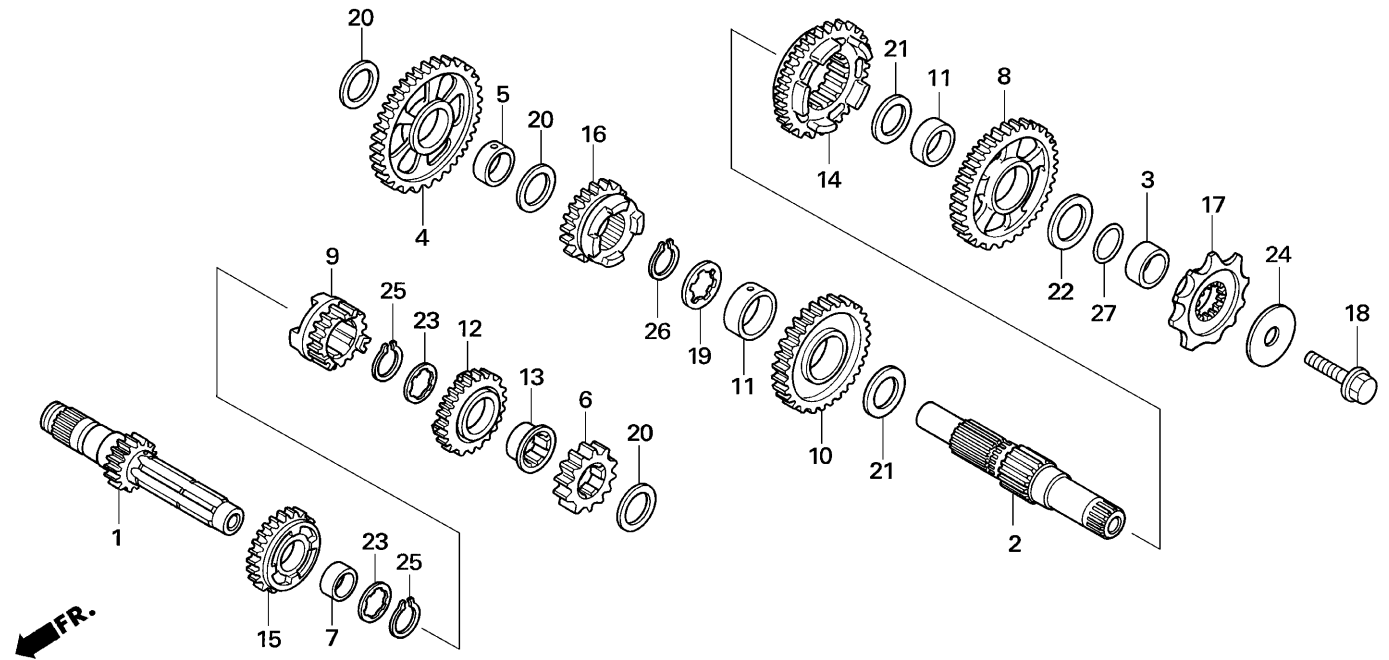


N° Ref.	N° Pieza	Descripción	Cant. '05	N° Ref.	N° Pieza	Descripción	Cant. '05
1	13000-NN4-000	CRANK SHAFT COMP. ....	1				
2	13011-NN4-000	RING SET, PISTON. ....	1				
3	13101-NN4-000	PISTON. ....	1				
4	13111-KRN-670	PIN, PISTON. ....	1				
5	13115-KM7-700	CLIP, PISTON PIN 16mm . . . . .	2				
6	13331-357-000	KEY SPECIAL WOODRUFF, 25X18. . . . .	1				
7	13617-NN4-000	COLLAR, DRIVE GEAR . . . . .	1				
8	23121-NN4-000	GEAR, PRIMARY DRIVE . . . . .	1				
9	90013-NN4-000	BOLT, SPECIAL 12X27 . . . . .	1				
10	90402-KY4-900	WASHER, PLAIN, 12mm . . . . .	1				

Block No.

# E-13

Transmission

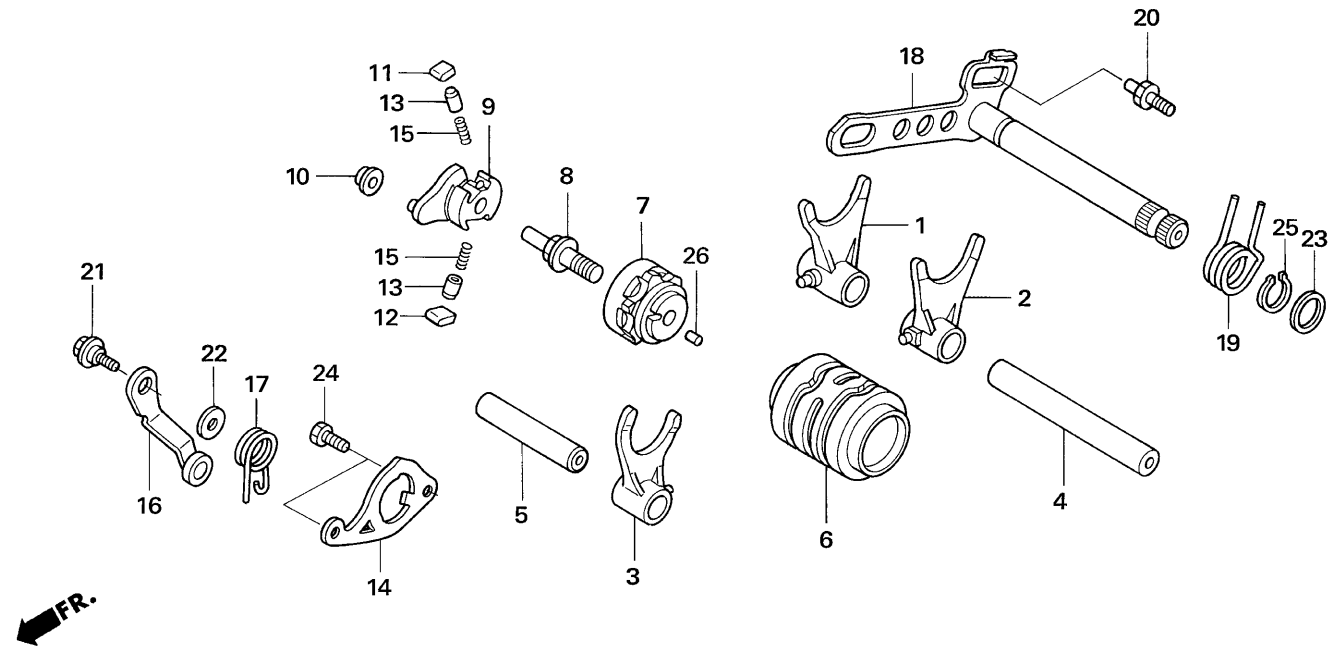


N° Ref.	N° Pieza	Descripción	Cant. '05	N° Ref.	N° Pieza	Descripción	Cant. '05
1	23211-NN4-000	SHAFT, MAIN . . . . .	1	16	23491-NN4-000	GEAR, C-5TH . . . . .	1
2	23221-NN4-000	SHAFT, COUNTER . . . . .	1	17	23801-NN4-000	SPROCKET, DRIVE 10T. . . . .	1
3	23225-KS6-000	COLLAR, C-SHAFT . . . . .	1	18	90112-413-000	BOLT, UBS 8X33 . . . . .	1
4	23411-NN4-000	GEAR, C-LOW . . . . .	1	19	90404-KW3-000	WASHER, THRUST, INV 22X21X1 . . . . .	1
5	23413-NN4-000	COLLAR, 17mm . . . . .	1	20	90446-357-000	WASHER, THRUST 17.2mm . . . . .	3
6	23421-NN4-000	GEAR, M-2ND . . . . .	1	21	90452-KZ4-000	WASHER, THRUST 20X30X1. . . . .	2
7	23422-GB4-770	BUSH, 20X9 . . . . .	1	22	90453-KZ4-000	WASHER, THRUST 20X30X1.5 . . . . .	1
8	23431-NN4-000	GEAR, C-2ND . . . . .	1	23	90461-444-000	WASHER, SPLINE 20 . . . . .	2
9	23441-NN4-000	GEAR, M-3RD. . . . .	1	24	90501-NN4-003	WASHER, SPRING 8X33 . . . . .	1
10	23451-NN4-000	GEAR, C-3RD . . . . .	1	25	90601-360-000	SET RING 20mm . . . . .	2
11	23452-NN4-000	COLLAR, C-3RD GEAR . . . . .	2	26	90602-360-000	SET RING 22mm . . . . .	1
12	23461-NN4-000	GEAR, M-4TH. . . . .	1	27	91351-KA3-711	O-RING, 20mm. . . . .	1
13	23462-NN4-000	COLLAR, M-4TH GEAR . . . . .	1				
14	23471-NN4-000	GEAR, C-4TH . . . . .	1				
15	23481-NN4-000	GEAR, M-5TH. . . . .	1				

Block No.

# E-14

Gearshift drum

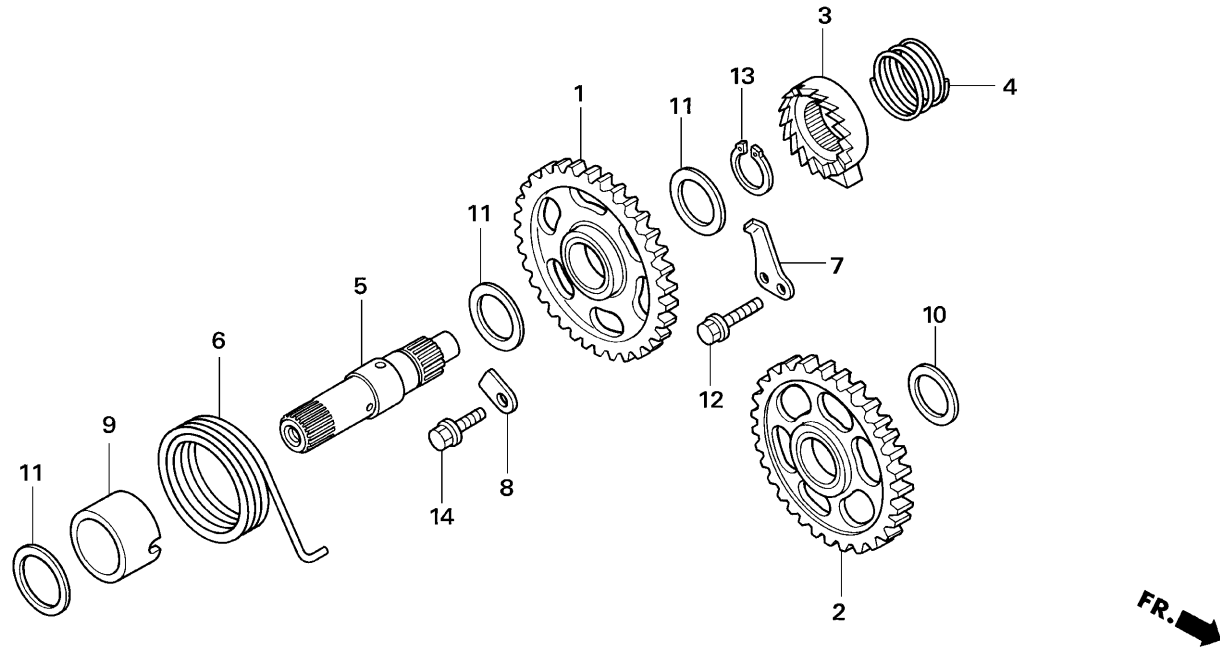


N° Ref.	N° Pieza	Descripción	Cant. '05	N° Ref.	N° Pieza	Descripción	Cant. '05
1	24211-KRN-730	FORK R., GEAR SHIFT	1	16	24430-NN4-000	STPR COMP, DRUM	1
2	24221-KRN-730	FORK L., GEAR SHIFT	1	17	24435-KZ4-690	SPG, DRUM STPR	1
3	24231-NN4-000	FORK C, GEAR SHIFT.	1	18	24610-NN4-000	SPDL COMP, GEAR SHIFT.	1
4	24241-MEN-670	SHAFT A, SHIFT FORK.	1	19	24651-MEB-670	SPG, SHIFT RETURN	1
5	24242-MEN-670	SHAFT B, SHIFT FORK.	1	20	24652-HA0-000	PIN, GEAR SHIFT RETURN SPG.	1
6	24311-NN4-000	DRUM, GEAR SHIFT	1	21	90022-MG8-000	PIVOT, SHIFT DRUM STOPPER ARM	1
7	24312-KA3-741	CENTER, SHIFT DRUM	1	22	90435-HB3-000	WASHER, 6.1mm	1
8	24315-HA0-000	PIN. SHIFTER	1	23	90451-155-000	WASHER, 14mm	1
9	24321-KZ4-620	SHIFTER, DRUM.	1	24	93301-06016-0A	BOLT, HEX., 6X16.	2
10	24322-MM4-000	COLLAR, DRUM SHIFTER	1	25	94510-14000	CIRCLIP, EX, 14.	1
11	24324-KA3-711	PAWL A, RATCHET.	1	26	96220-40080	ROLLER, 4X8	1
12	24325-KA3-711	PAWL B, RATCHET.	1				
13	24326-KBH-901	PLUNGER, PAWL	2				
14	24328-NN4-000	PLATE, GUIDE	1				
15	24329-KA3-740	SPG, PAWL PLUNGER	2				

Block No.

## E-15

Kick starter spindle

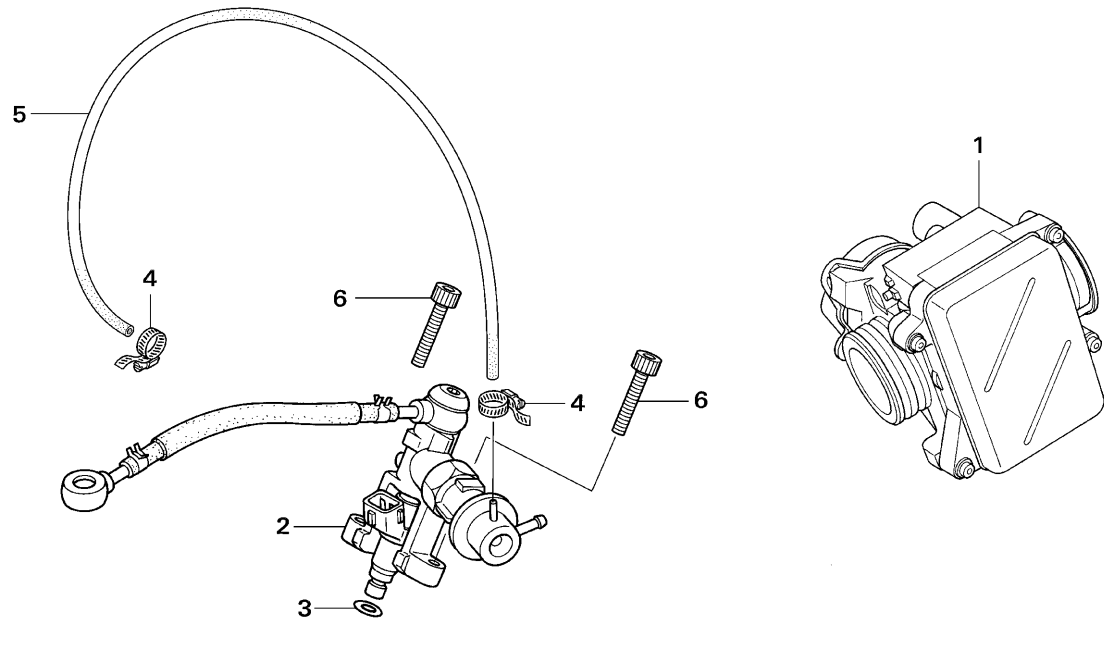


N° Ref.	N° Pieza	Descripción	Cant. '05	N° Ref.	N° Pieza	Descripción	Cant. '05
1	28210-NN4-000	PINION COMP., KICK STARTER .....	1				
2	28230-NN4-000	GEAR COMP., STARTER IDLE .....	1				
3	28241-KA3-710	RATCHET, STARTER .....	1				
4	28242-KA3-710	SPG, RATCHET .....	1				
5	28251-NN4-000	SPINDLE, KICK START .....	1				
6	28261-KA3-710	SPG, START RETURN .....	1				
7	28262-NN4-010	PLATE, RATCHET SLIDER .....	1				
8	28263-NN4-000	PLATE, KICK SPG .....	1				
9	28282-NN4-000	COLLAR, KICK SPG .....	1				
10	90452-178-000	WASHER, THRUST 17mm .....	1				
11	90501-444-000	WASHER, 16.8X24 .....	3				
12	93301-06016-0A	BOLT, HEX., 6X16 .....	1				
13	94510-16000	CIRCLIP, EX, 16 .....	1				
14	96001-06014-00	BOLT, FLANGE, 6X14 .....	1				

Block No.

**E-16**

Throttle body  
Injector

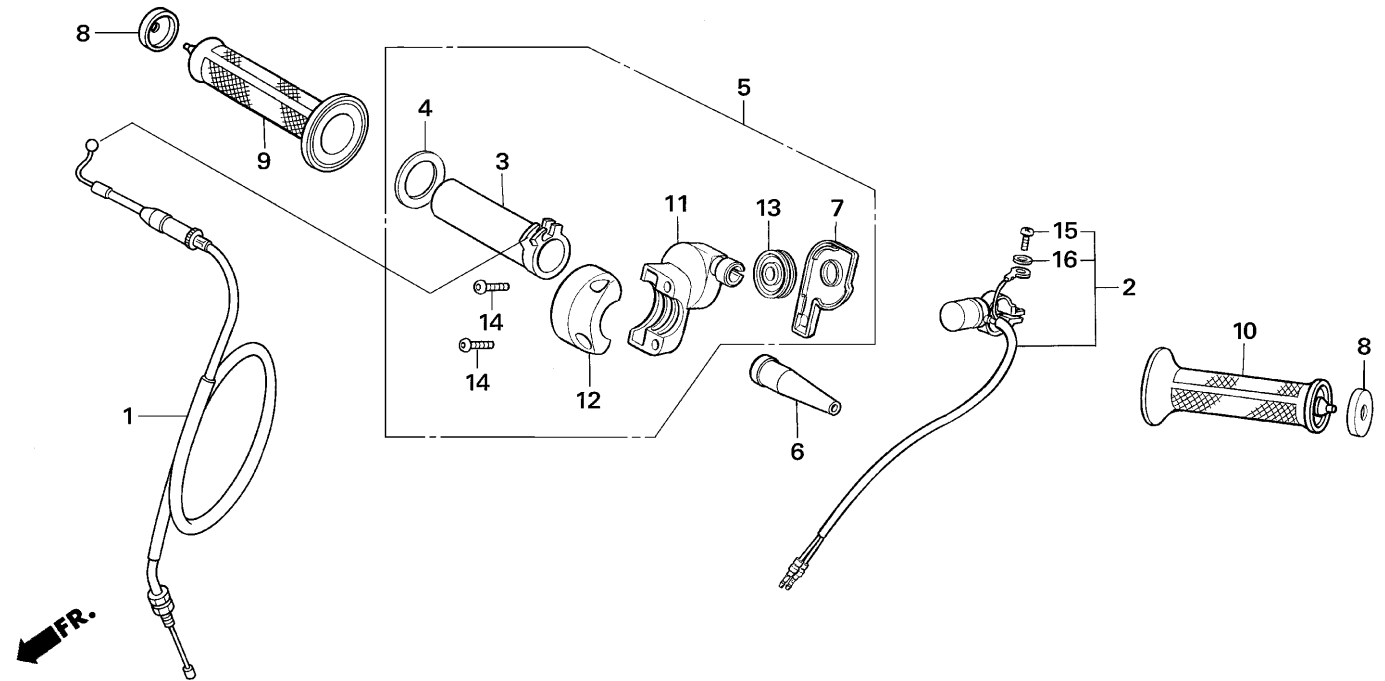


N° Ref.	N° Pieza	Descripción	Cant. '05	N° Ref.	N° Pieza	Descripción	Cant. '05
1	16400-NN4-003	THROTTLE BODY ASSY. ....	1				
2	16420-NN4-000	HOLDER INJECTOR ASSY.. ....	1				
3	91301-PCL-000	O-RING, 7.4X3.6. ....	1				
4	95002-02079	CLIP B1 7, TUBE. ....	2				
5	95005-35200-20	TUBE, 35X200 . ....	1				
6	96700-06022-00	SOCKET BOLT 6X22. ....	2				

Block No.

**F-1**

Cable  
Switch

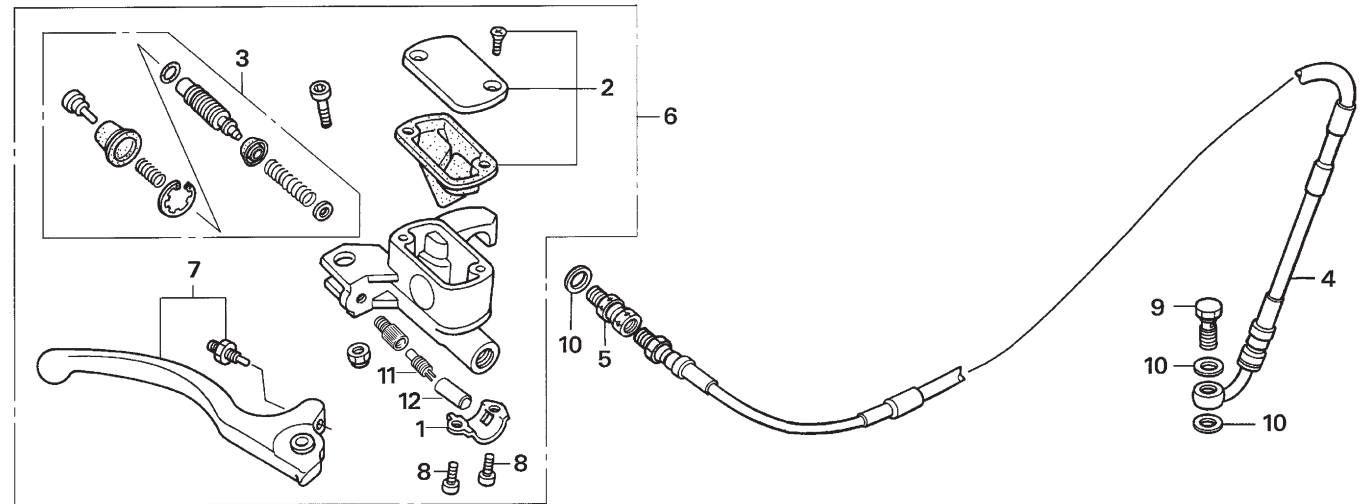


N° Ref.	N° Pieza	Descripción	Cant. '05	N° Ref.	N° Pieza	Descripción	Cant. '05
1	17910-NN4-003	CABLE COMP., THROT . . . . .	1	16	94111-04000	WASHER, SPRING 4mm . . . . .	1
2	35130-NN4-600	SW ASSY., KILL . . . . .	1				
3	53141-NN3-000	PIPE, THROT GRIP . . . . .	1				
4	53142-NN3-000	RING, LEAF . . . . .	1				
5	53160-NN4-000	SUB ASSY., THROTTLE . . . . .	1				
6	53161-NN3-000	COVER, THROT CABLE . . . . .	1				
7	53163-NN2-900	COVER, THROT HOUSING. . . . .	1				
8	53164-KR8-000	COVER, GRIP END . . . . .	2				
9	53165-KR8-000	GRIP R, HANDLE . . . . .	1				
10	53166-KR8-000	GRIP L, HANDLE . . . . .	1				
11	53167-NN2-900	HOUSING UP, THROT . . . . .	1				
12	53168-NN2-900	HOUSING LWR, THROT . . . . .	1				
13	53169-NN2-900	PULLEY, THROT . . . . .	1				
14	90107-NN3-000	SOCKET BOLT, 5X16 . . . . .	2				
15	93500-04012-1A	SCREW, PAN 4X12. . . . .	1				

Block No.

**F-2**

Front brake master cylinder



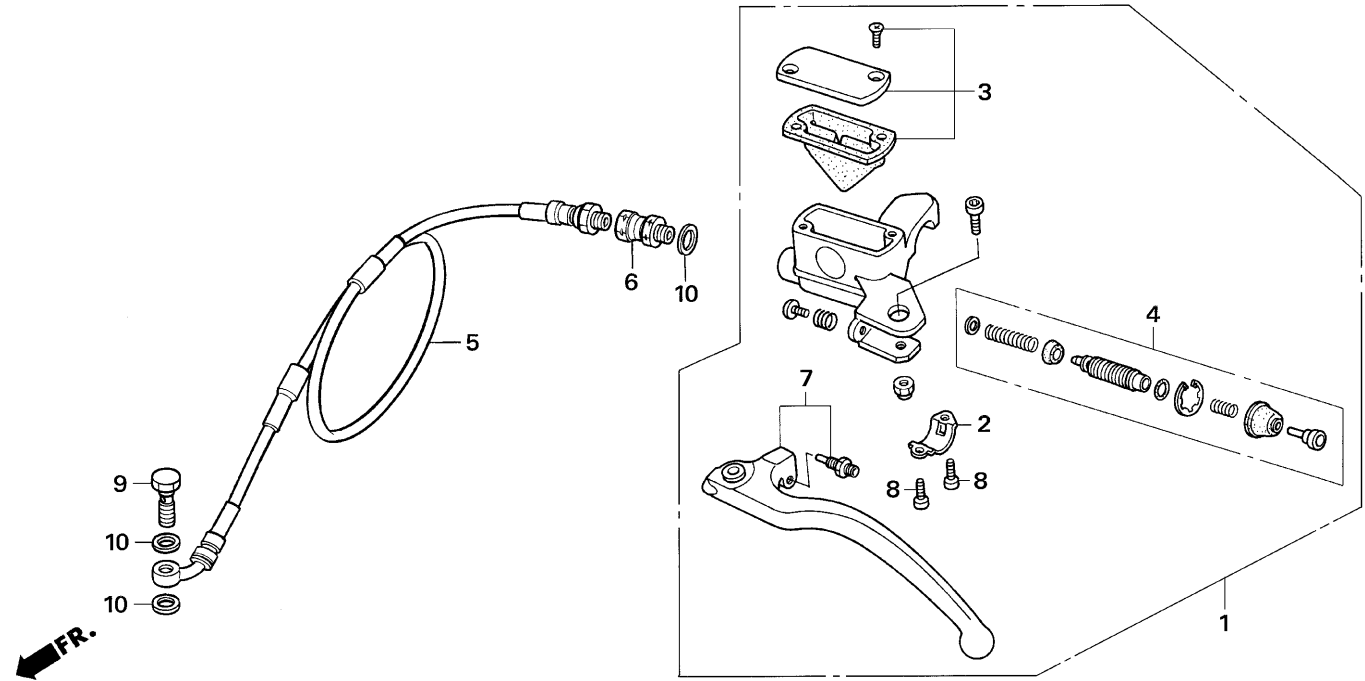
N° Ref.	N° Pieza	Descripción	Cant. '05	N° Ref.	N° Pieza	Descripción	Cant. '05
1	22882-NN3-830	HOLDER, M/C. . . . .	1				
2	22883-NN3-306	TANK KIT, CLUTCH M/C. . . . .	1				
3	22886-NN3-307	PISTON SET, CLUTCH M/C . . . . .	1				
4	45125-NN4-610	HOSE, FR BRAKE . . . . .	1				
5	45127-NN3-010	JOINT, BRAKE HOSE . . . . .	1				
6	45500-NN4-600	M/C ASSY., FR . . . . .	1				
7	53170-NN3-840	LEVER ASSY., R. HNDL . . . . .	1				
8	90089-MBK-750	BOLT, SOCKET 5X12 . . . . .	2				
9	90145-NN4-000	OIL BOLT, 10X21 . . . . .	1				
10	90545-300-000	WASHER, OIL BOLT . . . . .	3				
11	35350-NN4-600	SWITCH ASSY. FRONT CALIPER . . . . .	1				
12	35351-NN4-600	RUBBER COVER. . . . .	1				



Block No.

**F-3**

Clutch master cylinder

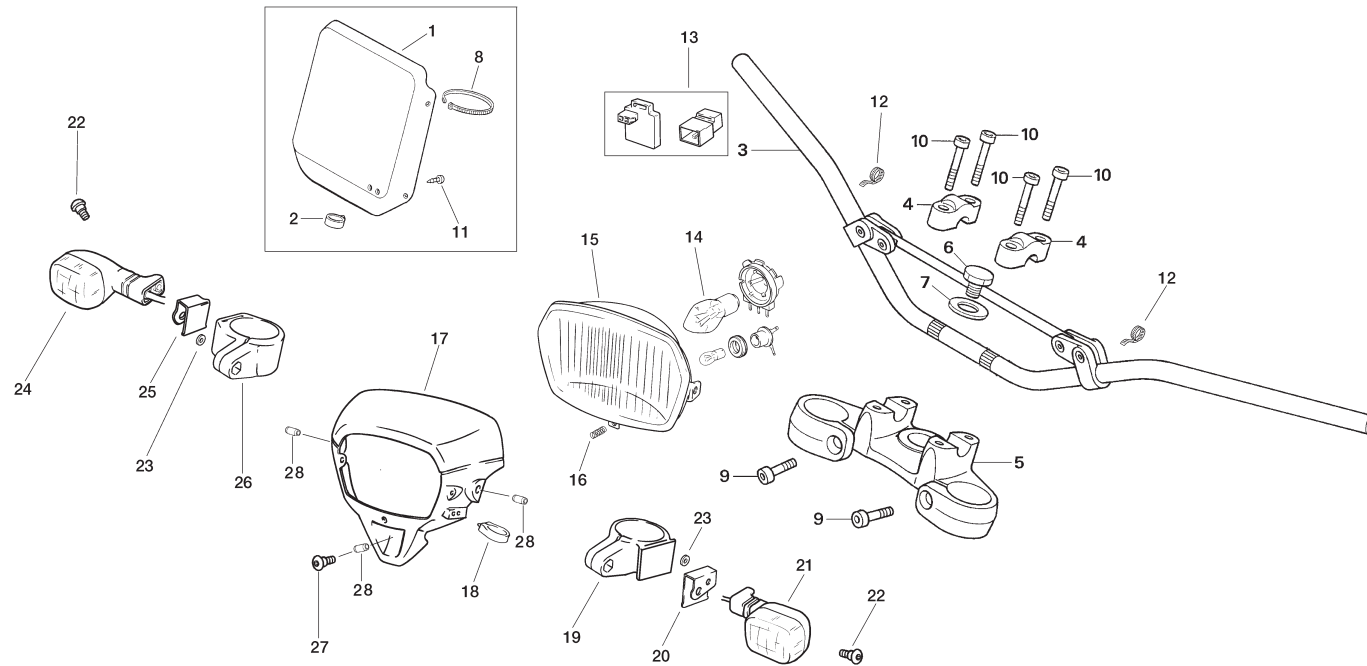


N° Ref.	N° Pieza	Descripción	Cant. '05	N° Ref.	N° Pieza	Descripción	Cant. '05
1	22880-NN4-000	M/C ASSY., CLUTCH .....	1				
2	22882-NN3-830	HOLDER, M/C.....	1				
3	22883-NN4-000	TANK KIT, CLUTCH M/C.....	1				
4	22886-NN4-000	PISTON SET, CLUTCH M/C .....	1				
5	22900-NN4-000	HOSE, CLUTCH .....	1				
6	45127-NN3-010	JOINT, BRAKE HOSE .....	1				
7	53180-NN4-000	LEVER ASSY., L. HNDL .....	1				
8	90089-MBK-750	BOLT, SOCKET 5X12 .....	2				
9	90145-NN4-000	OIL BOLT, 10X21 .....	1				
10	90545-300-000	WASHER, OIL BOLT.....	3				

Block No.

### F-4

Steering handle pipe  
Top bridge  
Head light

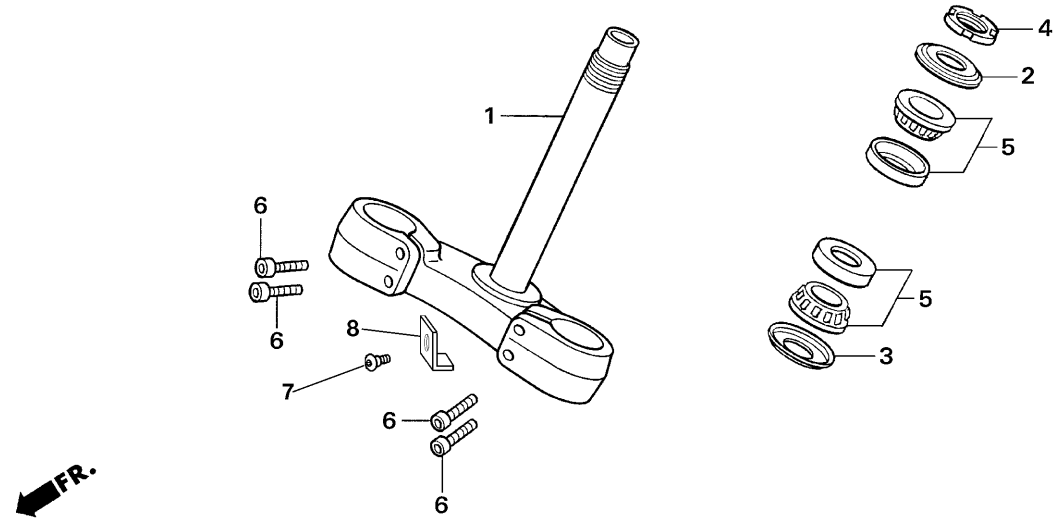


N° Ref.	N° Pieza	Descripción	Cant. '05	N° Ref.	N° Pieza	Descripción	Cant. '05
1	61301-NN3-000	PLATE, ZEICHEN	1	16	33101-NN3-740	SPRING, REG. HEAD LIGHT	1
2	45468-NN2-000ZB	GUIDE, BRK HOSE	1	17	61300-NN4-600ZA	CASE, HEAD LIGHT	1
3	53100-NN4-000	PIPE, STRG HNDL	1	18	45468-NN2-000ZC	GUIDE, BRAKE HOSE	1
4	53131-ND9-760	HOLDER, (HANDLE PIPE) UPPER	2	19	61391-NN4-600	BRACKET, WINKER, ASSY. RIGHT	1
5	53230-NN4-000	BRIDGE, FORK TOP	1	20	33491-NN4-600	PLATE, BRACKET WINKER, ASSY. RIGHT	1
6	53235-NN4-000	BOLT, TOP BRIDGE	1	21	33450-NN3-740	WINKER, ASSY. LEFT	1
7	53236-NN2-700	WASHER, TOP BOLT	1	22	90108-NN4-600	WINKER, BOLT	2
8	61312-NN2-900	TIE-BAND	4	23	94001-0600-0S	NUT	2
9	96600-08025-10	SOCKET BOLT, 8X25	2	24	33400-NN3-740	WINKER, ASSY. RIGHT	1
10	96700-08028-00	SOCKET BOLT, 8X28	4	25	33490-NN4-600	PLATE, BRACKET WINKER, ASSY. LEFT	1
11	93913-14180	SCREW, TAPPING 4X10	1	26	61390-NN4-600	BRACKET WINKER, ASSY. LEFT	1
12	90650-NN4-600	BAND WIRE	2	27	90111-NN4-600	HEAD LIGHT CASE, BOLT	1
13	38300-NN3-740	RELAY, ASSY. WINKER	1	28	90505-NN4-600	COLLAR, CASE HEAD LIGHT	3
14	34901-NN2-90	BULB, GEAD LIGHT	1				
15	33100-NN3-740	LIGHT ASSY. HEAD	1				

Block No.

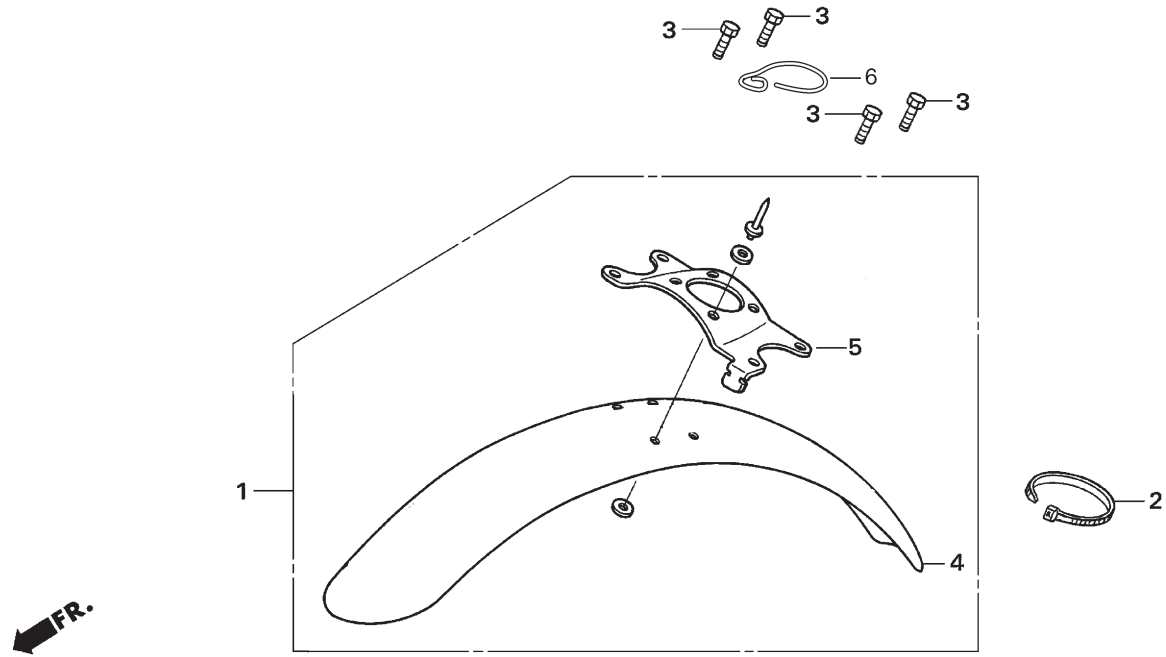
**F-5**

Steering stem



N° Ref.	N° Pieza	Descripción	Cant. '05	N° Ref.	N° Pieza	Descripción	Cant. '05
1	53200-NN4-600	STEM COMP., STRG. ....	1				
2	53214-KA3-732	DUST SEAL .....	1				
3	53214-KA4-701	DUST SEAL .....	1				
4	53229-NN2-000	THREAD, STRG .....	1				
5	91015-425-831	BRG, HEAD PIPE UP .....	2				
6	96600-08025-10	SOCKET BOLT, 8X25 .....	4				
7	90112-NN4-600	BRAKE PLATE, BOLT .....	1				
8	61315-NN4-000	HEAD CASE, BRAKE PLATE.....	1				

Block No.  
**F-6**  
 Front fender

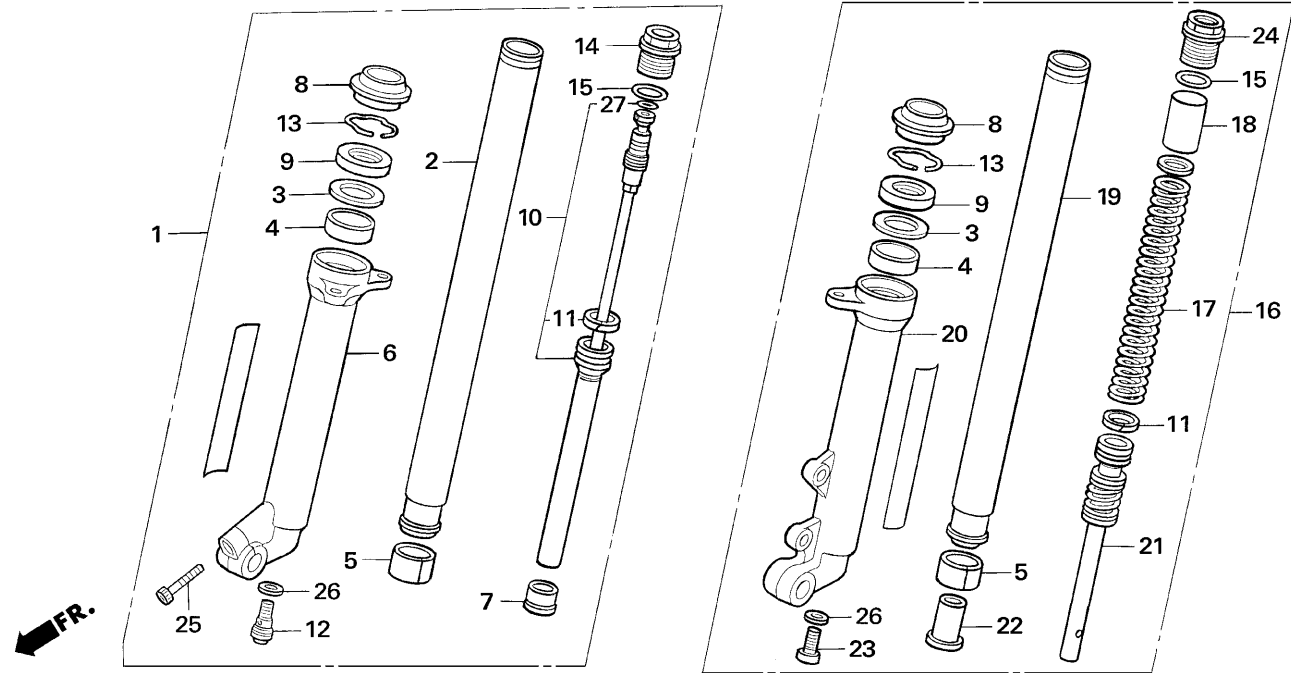


N° Ref.	N° Pieza	Descripción	Cant. '05	N° Ref.	N° Pieza	Descripción	Cant. '05
1	61100-NN4-600	FENDER COMP, FR .....	1				
2	61312-NN2-900	TIE-BAND .....	1				
3	96001-06014-00	BOLT, FLANGE SH 6X14 .....	4				
4	61050-NN4-600	FRONT FENDER .....	1				
5	61105-NN4-300	STRAY, FRONT FENDER .....	1				
6	44832-NN3-740	SPEEDOMETER CABLE GUIDE .....	1				

Block No.

**F-7**

Front fork

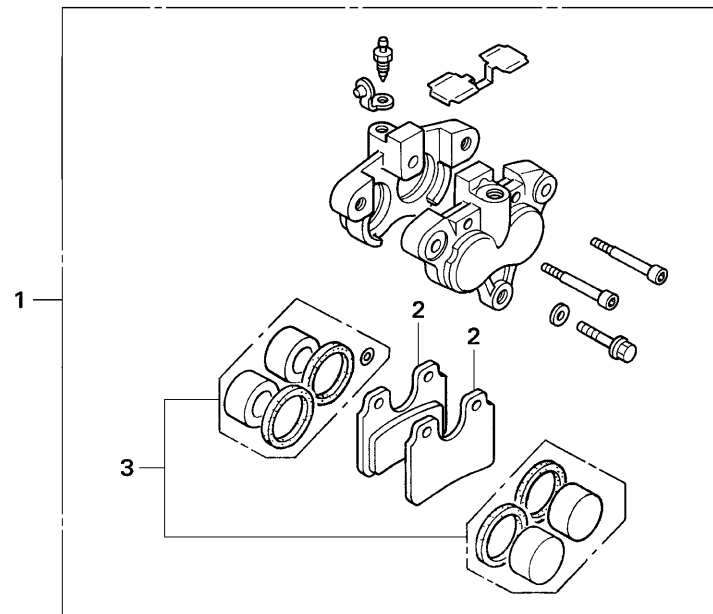


N° Ref.	N° Pieza	Descripción	Cant. '05	N° Ref.	N° Pieza	Descripción	Cant. '05
1	51400-NN4-601	FORK ASSY., R. FR.	1	16	51500-NN4-601	FORK ASSY., L. FR.	1
2	51410-NN4-003	PIPE COMP., R. FR FROK	1	17	51501-NN4-003	SPRING, FR FORK	1
3	51412-NN4-003	SEAL SPACER	2	18	51502-NN3-821	COLLAR, SPG.	1
4	51414-NN3-821	BUSH, GUIDE	2	19	51510-NN4-003	PIPE COMP., L. FR FROK	1
5	51415-NN3-821	BUSH, SLIDE	2	20	51520-NN3-821	CASE, L. BOTTOM	1
6	51420-NN4-003	CASE, R. BOTTOM	1	21	51530-NN4-003	CYLINDER COMP., FR	1
7	51421-NN3-821	PLATE, CENTERING	1	22	51531-NN3-821	PIECE, OIL LOCK	1
8	51422-NN3-821	SEAL, DUST	2	23	51541-NN3-821	BOLT,CENTER	1
9	51425-NN3-821	SEAL, OIL	2	24	51550-NN3-821	BOLT COMP., L. FR FORK.	1
10	51430-NN4-003	DAMPER COMP., R. FR	1	25	90116-383-721	BOLT, SOCKET, 8mm	1
11	51437-MN5-003	RING, PISTON	2	26	90544-KS7-003	WASHER, SPECIAL	2
12	51441-NN3-821	BOLT COMP., R. CENTER	1	27	91311-MR7-003	O-RING	1
13	51447-MK7-671	RING, OIL SEAL STOP	2				
14	51450-NN3-821	BOLT, R. FR FORK	1				
15	51458-NN3-821	O-RING	2				

Block No.

**F-8**

Front brake caliper



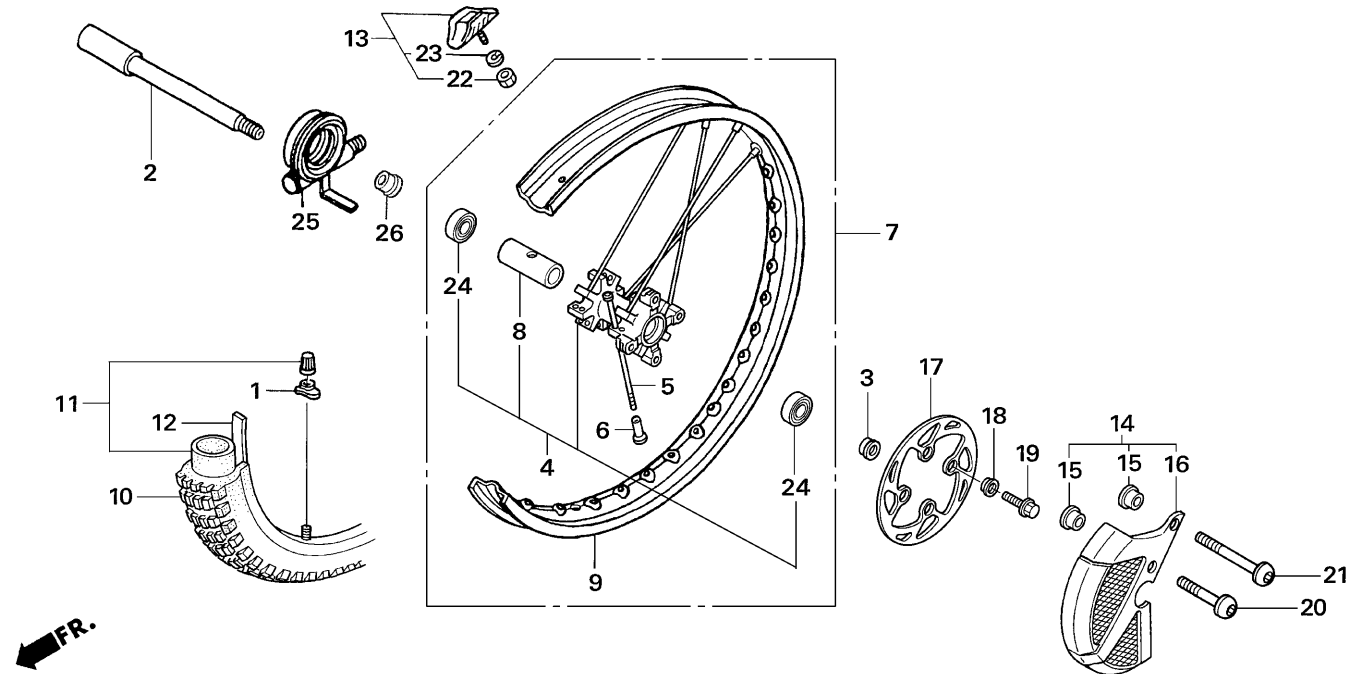
←FR.

N° Ref.	N° Pieza	Descripción	Cant. '05	N° Ref.	N° Pieza	Descripción	Cant. '05
1	45100-NN3-830	CALIPER ASSY., FR .....	1				
2	45105-NN3-830	PAD COMP., FR. ....	2				
3	45120-NN3-305	PISTON SET, FR CALIPER .....	1				

Block No.

**F-9**

Front wheel

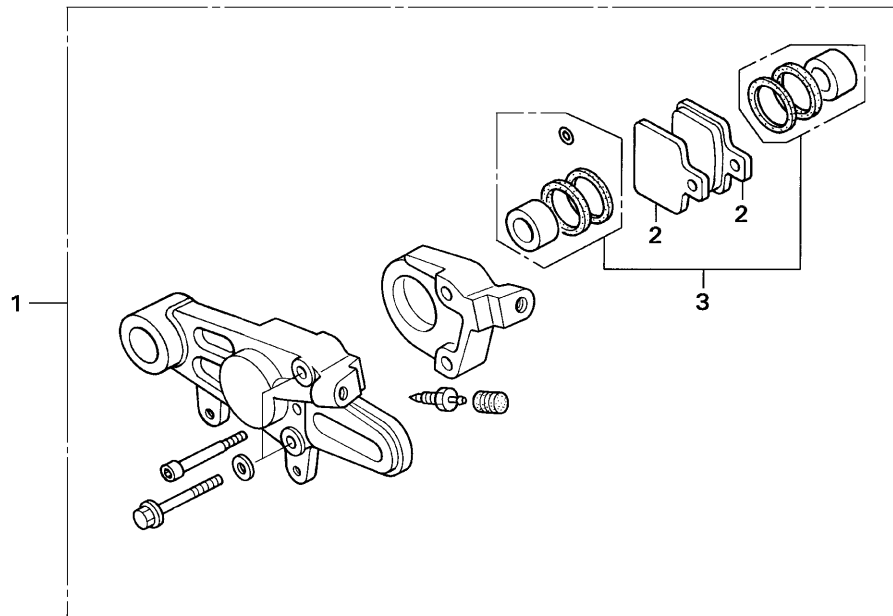


N° Ref.	N° Pieza	Descripción	Cant. '05	N° Ref.	N° Pieza	Descripción	Cant. '05
1	42714-KA3-710	CAP, VALVE. . . . .	1	16	45332-NN4-000ZA	COVER, FR DISK . . . . .	1
2	44301-NN3-000	AXLE, FR WHEEL . . . . .	1	17	45351-NN4-000	DISK, FR BRAKE. . . . .	1
3	44311-NN4-000	COLLAR L., FR WHEEL . . . . .	1	18	45352-NN4-000	COLLAR, FR DISK. . . . .	4
4	44602-NN4-000	HUB ASSY., FR WHEEL . . . . .	1	19	90101-NN4-000	BOLT, BRK DISK 6X18 . . . . .	4
5	44603-NN4-000	SPOKE, FR . . . . .	32	20	90113-NN4-000	BOLT, SOCKET 8X33 . . . . .	1
6	44608-KZ4-J40	NIPPLE, SPOKE . . . . .	32	21	90114-NN4-000	BOLT, SOCKET 8X55 . . . . .	1
7	44610-NN4-000	RIM ASSY., FR . . . . .	1	22	94001-08000-0S	NUT, HEX 8mm . . . . .	1
8	44620-NN4-000	COLLAR, FR WHEEL DIST . . . . .	1	23	94111-08000	WASHER, SPG 8mm . . . . .	1
9	44701-NN4-003	RIM, FR WHEEL . . . . .	1	24	96150-60040-10	BEARING, BALL RADIAL 6004. . . . .	2
10		TIRE, FRONT (NOT SALE) . . . . .	1	25	44800-NN3-740	GEAR BOX, SPEED . . . . .	1
11		TUBE (NOT SALE) . . . . .	1	26	44313-NN2-900	COLLAR, RIGHT FRONT WHEEL . . . . .	1
12		RIM, BAND (NOT SALE) . . . . .	1				
13	44715-MA0-770	STOPPER, 1.60 BEAD. . . . .	1				
14	45330-NN4-000ZA	COVER ASSY., FR DISK . . . . .	1				
15	45331-NN3-830	COLLAR . . . . .	2				

Block No.

**F-10**

Rear brake caliper



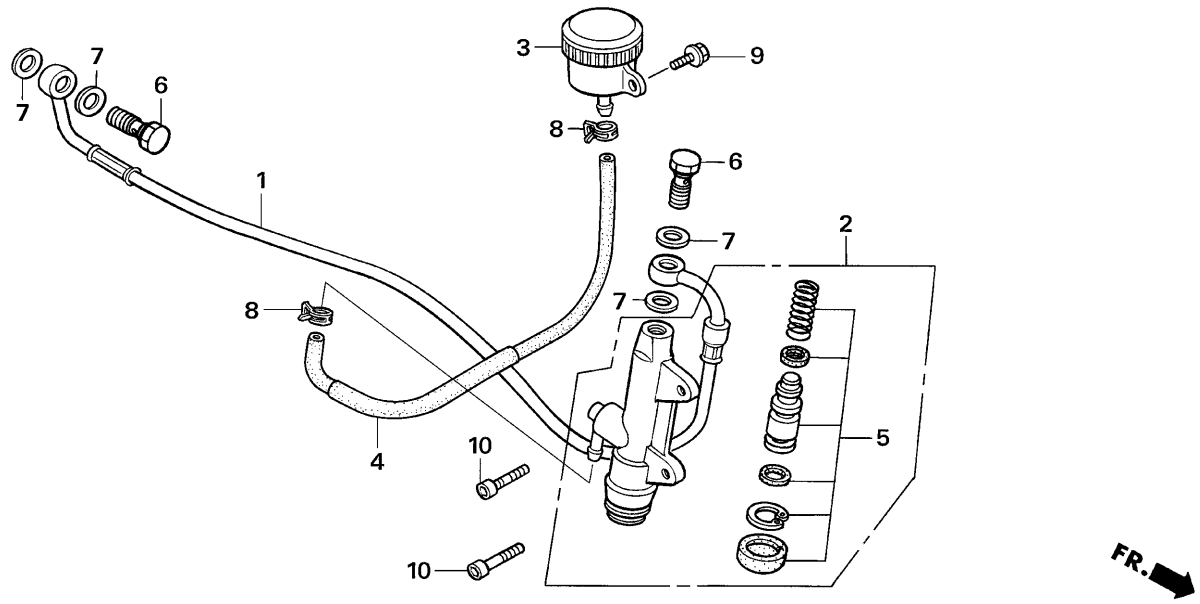
N° Ref.	N° Pieza	Descripción	Cant. '05	N° Ref.	N° Pieza	Descripción	Cant. '05
1	43100-NN3-840	CALIPER ASSY., RR .....	1				
2	43105-NN3-830	PAD COMP., RR .....	2				
3	43120-NN3-305	PISTON SET, RR CALIPER .....	1				



Block No.

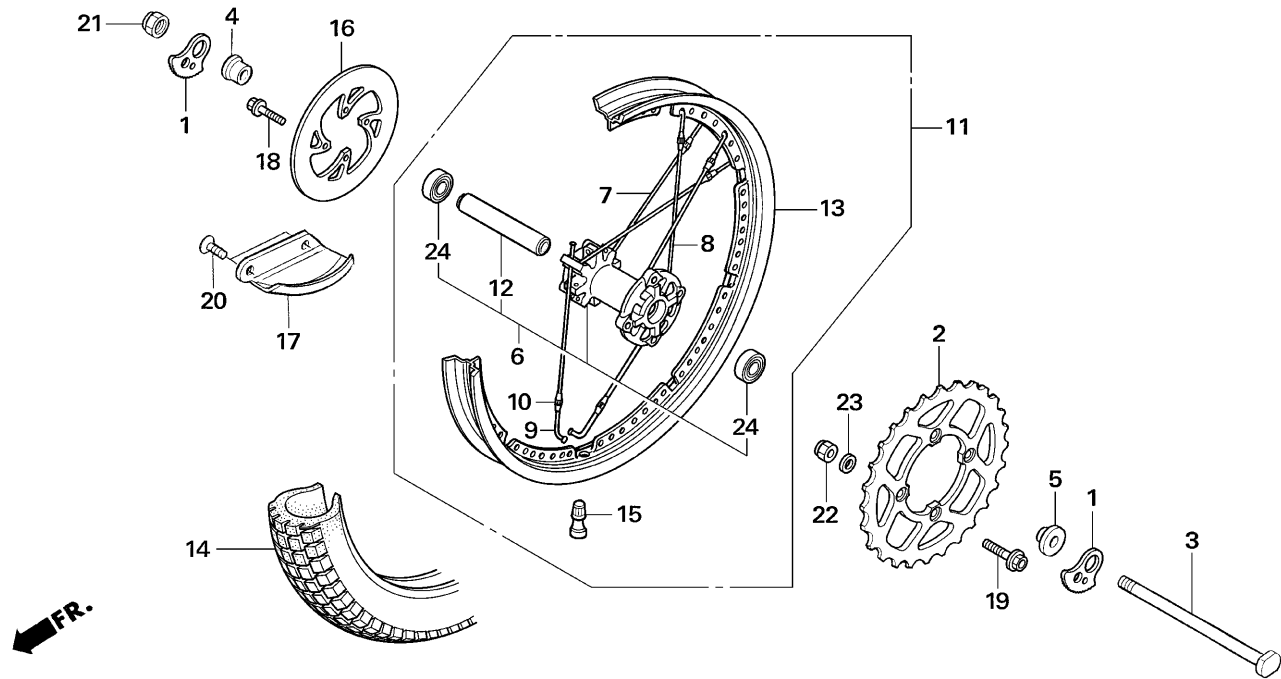
# F-11

Rear brake master cylinder



N° Ref.	N° Pieza	Descripción	Cant. '05	N° Ref.	N° Pieza	Descripción	Cant. '05
1	43125-NN3-830	HOSE, RR BRAKE.....	1				
2	43500-NN3-830	M/C ASSY., REAR.....	1				
3	43510-NN2-900	TANK ASSY., RESERVE .....	1				
4	43511-NN4-000	TUBE COMP., RR M/C .....	1				
5	43520-NN3-306	PISTON SET, RR M/C.....	1				
6	90145-NN4-000	OIL BOLT, 10X21 .....	2				
7	90545-300-000	WASHER, OIL BOLT.....	4				
8	95002-40850-08	CLAMP, D8.5 TUBE .....	2				
9	96001-06014-00	BOLT, FLANGE SH 6X14 .....	1				
10	96600-06022-00	SOCKET BOLT, 6X22 .....	2				

Block No.  
**F-12**  
Rear wheel

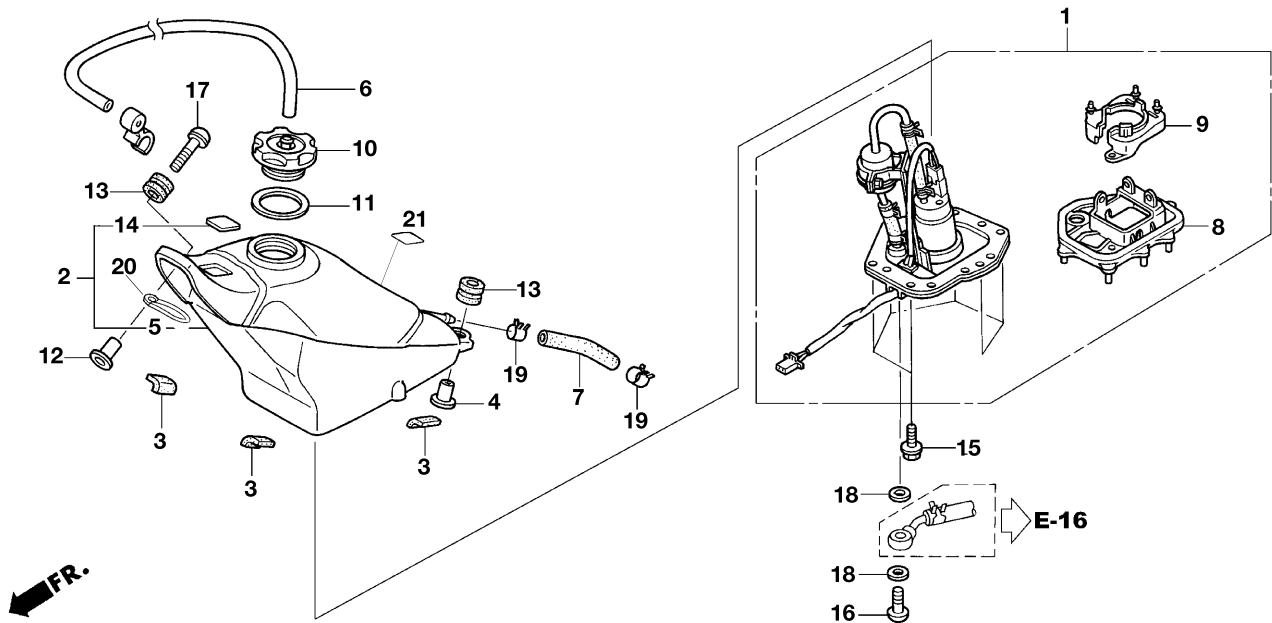


N° Ref.	N° Pieza	Descripción	Cant. '05	N° Ref.	N° Pieza	Descripción	Cant. '05
1	40544-NN4-000	ADJUSTER, CHAIN	2	14		TIRE, RR (NOT SALE)	1
2	41205-NN4-000	SPRKT 41T, FINAL DRIVEN	1	15	42753-KBS-901	VALVE, RIM TR412	1
	41206-NN4-600	SPRKT 42T, FINAL DRIVEN (optional)	1	16	43121-NN4-000	DISK, RR BRAKE	1
	41207-NN4-600	SPRKT 43T, FINAL DRIVEN (optional)	1	17	43330-NN3-830	COVER, RR DISK	1
3	42301-NN3-000	AXLE, RR WHEEL	1	18	90101-NN4-000	BOLT, BRK DISK 6X18	4
4	42311-NN2-000	COLLA R., RR WHEEL	1	19	90125-KZ4-J40	BOLT, SH DR 8X22	4
5	42312-NN2-000	COLLA L., RR WHEEL	1	20	90132-NN2-900	SCREW, 6X12	2
6	42602-NN4-000	HUB ASSY., WHEEL	1	21	90305-NN2-900	NUT, AXLE	1
7	42603-NN4-000	SPOKE R., RR WHEEL	16	22	90309-ML3-791	NUT, U 8mm	4
8	42604-NN4-000	SPOKE L., RR WHEEL	16	23	90401-NN4-000	WASHER, PLAIN, 8mm	4
9	42605-NN4-000	SPOKE S, RR WHEEL	32	24	96150-60040-10	BEARING, BALL RADIAL 6004	2
10	42607-NN4-000	NIPPLE, RR WHEEL	32				
11	42610-NN4-000	RIM ASSY., RR	1				
12	42620-NN3-830	COLLAR, RR WHEEL DIST	1				
13	42701-NN4-003	RIM, RR WHEEL	1				

Block No.

# F-13

Fuel tank  
Fuel pump

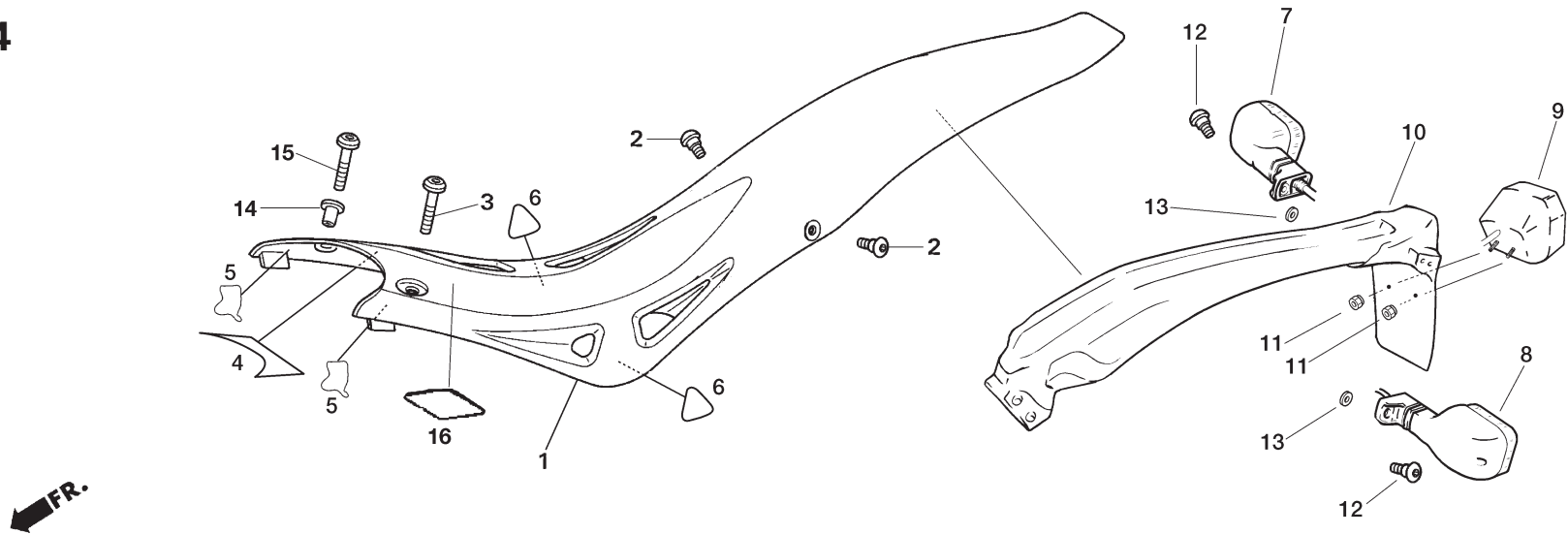


N° Ref.	N° Pieza	Descripción	Cant. '05	N° Ref.	N° Pieza	Descripción	Cant. '05
1	16700-NN4-000	UNIT ASSY., FUEL PUMP	1	16	90108-MBG-000	BOLT, BANJO 12mm	1
2	17500-NN4-600	SET, FUEL TANK (WITH LABEL)	1	17	90115-MAS-E00	BOLT, SPL, 6X25	1
3	17506-NN4-000	RUBBER, FUEL TANK	4	18	90428-PD6-003	WASHER, SEALING 12mm	2
4	17509-NN4-000	COLLAR, TANK SET	1	19	91406-SL4-931	CLAMP D10.5, FUEL HOSE	2
5	17510-NN4-000	TANK COMP., FUEL	1	20	90601-NN4-600	CLIP 95 mm	1
6	17521-NN4-000	TUBE, FUEL CAP BREATHER	1	21	87586-NN4-600	LABEL, FUEL	1
7	17529-NN4-000	HOSE, RETURN FUEL	1				
8	17574-NN4-000	PACKING, BASE	1				
9	17575-NN4-000	CAP, CHAMBER	1				
10	17621-NN4-010	BODY, FUEL CAP	1				
11	17624-NN4-000	PACKING, FUEL CAP	1				
12	61104-357-000	COLLAR, FR FENDER	1				
13	64615-KR1-860	RUBBER, LWR COWL MOUNT	2				
14	86150-NN4-600	EMBLEM, PRODUCT	1				
15	90102-NN4-000	BOLT, FLANGE, 5X14	6				

Block No.

**F-14**

Rear fender

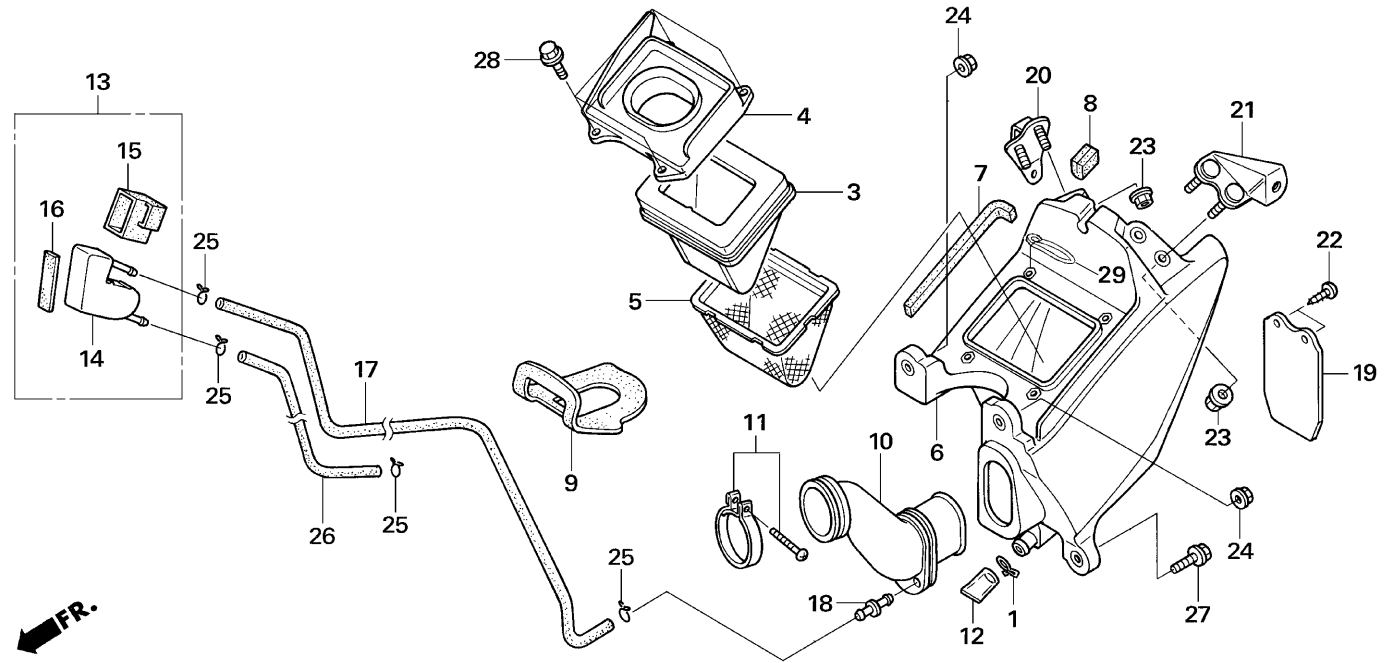


N° Ref.	N° Pieza	Descripción	Cant. '05	N° Ref.	N° Pieza	Descripción	Cant. '05
1	80050-NN4-000	FENDER COMP, REAR.....	1	16	87560-NN4-600	LABEL, CAUTION.....	1
2	90106-KY2-701	SCREW, PAN 6X11.....	2				
3	90115-NN4-000	BOLT, SPL, 6X27 .....	1				
4	80108-NN4-600	FRONT PROTECTOR .....	1				
5	80105-NN4-300	SIDE PROTECTORS A .....	2				
6	80106-NN4-600	SIDE PROTECTORS B .....	2				
7	33600-NN3-740	WINKER ASSY. RIGHT REAR.....	1				
8	33650-NN3-740	WINKER ASSY. RIGHT LEFT .....	1				
9	33700-NN4-600	UNIT, TAIL LIGHT COMP.....	1				
10	80105-NN4-600	BRACKET, TAIL LIGHT .....	1				
11	90201-NN4-600	WASHERS .....	2				
12	90108-NN4-600	WINKER, BOLT.....	2				
13	94001-0600-0S	WASHER .....	2				
14	80125-NN4-000	COLLAR .....	1				
15	90116-MAS-E00	BOLT 6x16 .....	1				

Block No.

# F-15

Air cleaner

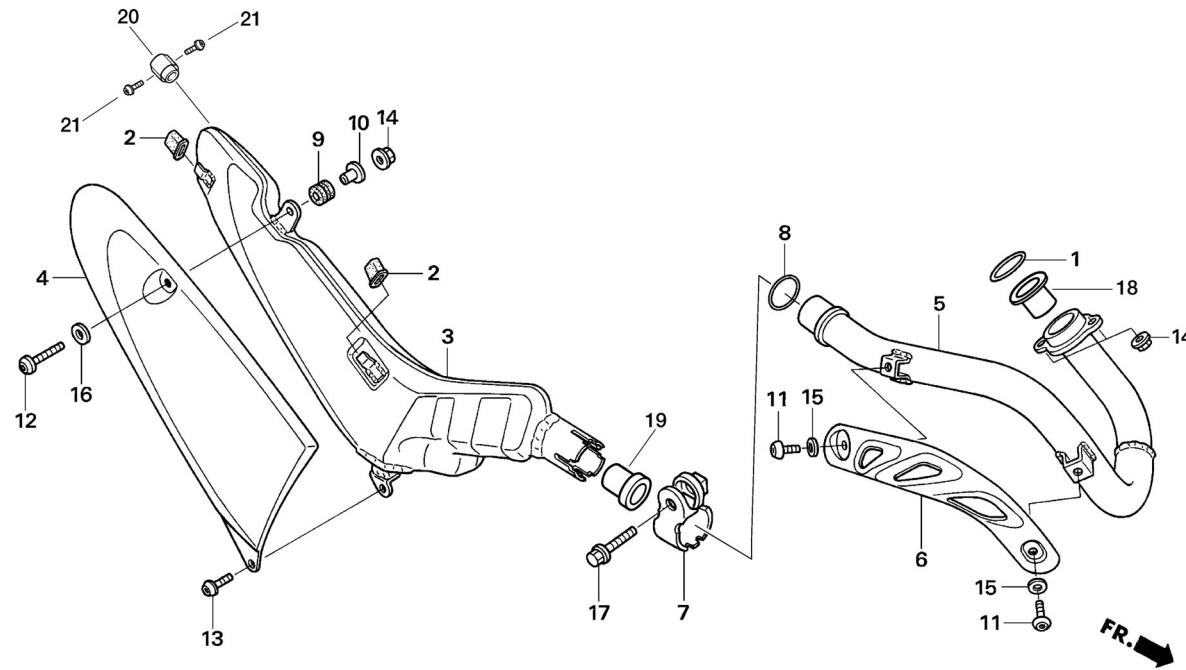


N° Ref.	N° Pieza	Descripción	Cant. '05	N° Ref.	N° Pieza	Descripción	Cant. '05
1	15707-634-000	CLIP, BREATHER TUBE.....	1	17	17554-NN4-000	TUBE, BREATHER A.....	1
3	17211-NN4-000	ELEMENT, AIR/C.....	1	18	55102-166-000	JOINT, OIL TUBE.....	1
4	17212-NN4-000	CAP, AIR/C CASE.....	1	19	80110-NN3-000	MUD GUARD.....	1
5	17213-NN4-000	TRAP COMP., FLAME.....	1	20	80111-NN4-000	STAY R., RR FENDER.....	1
6	17230-NN4-000	CASE COMP., AIR/C.....	1	21	80112-NN4-000	STAY L., RR FENDER.....	1
7	17231-NN4-300	SEAL A, AIR/C CASE.....	1	22	93913-14180	SCREW, TAPPING 4X10.....	2
8	17232-NN4-300	SEAL B, AIR/C CASE.....	1	23	94050-06000	NUT, FLANGE 6mm.....	4
9	17236-NN3-830	AIR GUARD.....	1	24	94050-06000	NUT, FLANGE 6mm.....	2
10	17253-NN4-000	TUBE, AIR/C CONN.....	1	25	95002-02100	CLIP B10, TUBE.....	4
11	17255-KRJ-900	BAND, AIR/C CONNECTING TUBE.....	1	26	95005-55225-20	TUBE, 5.3X225.....	1
12	17358-NN2-000	TUBE, DRAIN.....	1	27	95701-06025-00	BOLT, FLANGE 6X25.....	1
13	17550-NN4-000	TANK ASSY., STORAGE.....	1	28	90108-GK1-000	BOLT, FLANGE SH 6X12.....	4
14	17551-NN4-000	TANK, STORAGE.....	1	29	90602-NN4-600	CLIP.....	1
15	17552-NN4-000	RUBBER, STORAGE TANK.....	1				
16	17553-NN4-000	CUSHION, STORAGE TANK.....	1				

Block No.

## F-16

Exhaust muffler

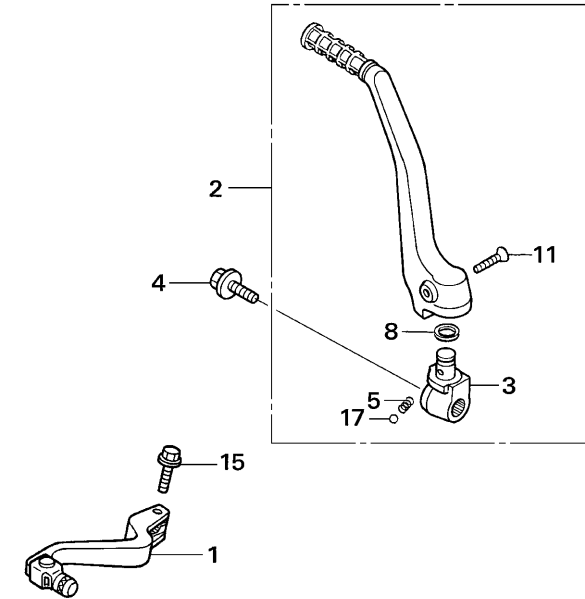
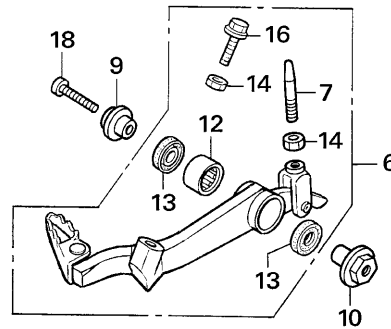


N° Ref.	N° Pieza	Descripción	Cant. '05	N° Ref.	N° Pieza	Descripción	Cant. '05
1	18291-NN4-000	GASKET, EXH PIPE . . . . .	1	16	94103-06000	WASHER, PLAIN, 6mm . . . . .	1
2	18293-MN0-000	RUBBER, PKG PROTR . . . . .	2	17	96300-08028-00	BOLT, FLANGE DR 8X28 . . . . .	1
3	18310-NN4-000	SILENCER COMP., EXH . . . . .	1	18	18340-NN4-000	COLLAR A . . . . .	1
4	18314-NN4-600	PROTECTOR, SLNCR . . . . .	1	19	18350-NN4-000	COLLAR B . . . . .	1
5	18320-NN4-000	PIPE COMP., EXH . . . . .	1	20	18360-NN4-000	DIFUSER EXH. . . . .	1
6	18323-NN4-000	PROTECTOR, EXH PIPE . . . . .	1	21	90105-GAG-000	SCREW PAN 6x8 . . . . .	2
7	18371-KCR-000	BAND, MUFFLER . . . . .	1				
8	18391-KEJ-900	PACKING, MUFFLER . . . . .	1				
9	19051-KA3-830	RUBBER, RAD MOUNT . . . . .	1				
10	19052-KA3-830	COLLAR, RAD MT . . . . .	1				
11	90108-KGB-610	SCREW, PAN 6X8. . . . .	2				
12	90115-MAS-E00	BOLT, SPL 6X25 . . . . .	1				
13	90106-MAS-E00	BOLT, SPL 6X16 . . . . .	1				
14	94050-06000	NUT, FLANGE 6mm . . . . .	3				
15	94101-06000	WASHER, PLAIN, 6mm . . . . .	2				

Block No.

**F-17**

Pedal  
Kick starter arm



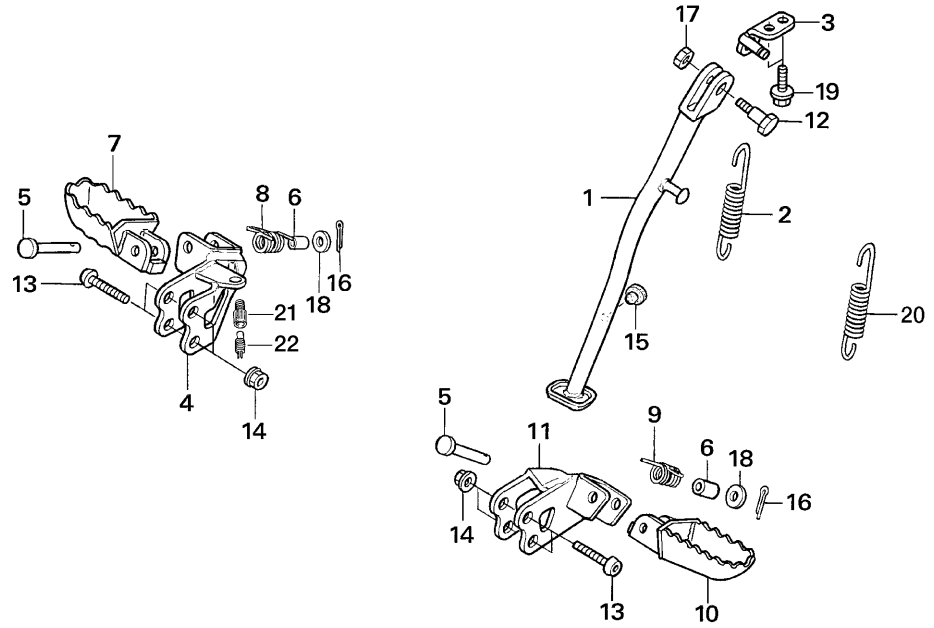
**FR.**

N° Ref.	N° Pieza	Descripción	Cant. '05	N° Ref.	N° Pieza	Descripción	Cant. '05
1	24700-NN4-000	PEDAL COMP., CHANGE . . . . .	1	16	96001-06025-00	BOLT, FLANGE SH 6X25 . . . . .	1
2	28300-NN4-000	ARM ASSY., KICK (STARTER) . . . . .	1	17	96211-08000	BALL, STEEL 8 . . . . .	1
3	28302-NN4-000	JOINT, KICK ARM. . . . .	1	18	96700-08032-10	BOLT, SOCKET 8X32 . . . . .	1
4	28306-MEN-670	BOLT, KICK JOINT . . . . .	1				
5	28333-KK0-000	SPG, KICK STARTER ARM SET . . . . .	1				
6	46500-NN4-000	PEDAL ASSY., RR BRK. . . . .	1				
7	46521-NN4-000	ROD, BRAKE . . . . .	1				
8	46525-KK0-003	DUST SEAL 17X2.0X2.5. . . . .	1				
9	46531-NN4-000	COLLAR A, RR BRK . . . . .	1				
10	46532-NN4-000	COLLAR B, RR BRK . . . . .	1				
11	90101-MAC-680	BOLT, KICK ARM . . . . .	1				
12	91001-GG2-003	BRG, NEEDLE 12X18X12 . . . . .	1				
13	91201-951-003	OIL SEAL, 12X18X3 . . . . .	2				
14	94001-06000-0S	NUT, HEX 6mm . . . . .	2				
15	96001-06022-00	BOLT, FLANGE SH 6X22 . . . . .	1				

Block No.

**F-18**

Stand  
Step



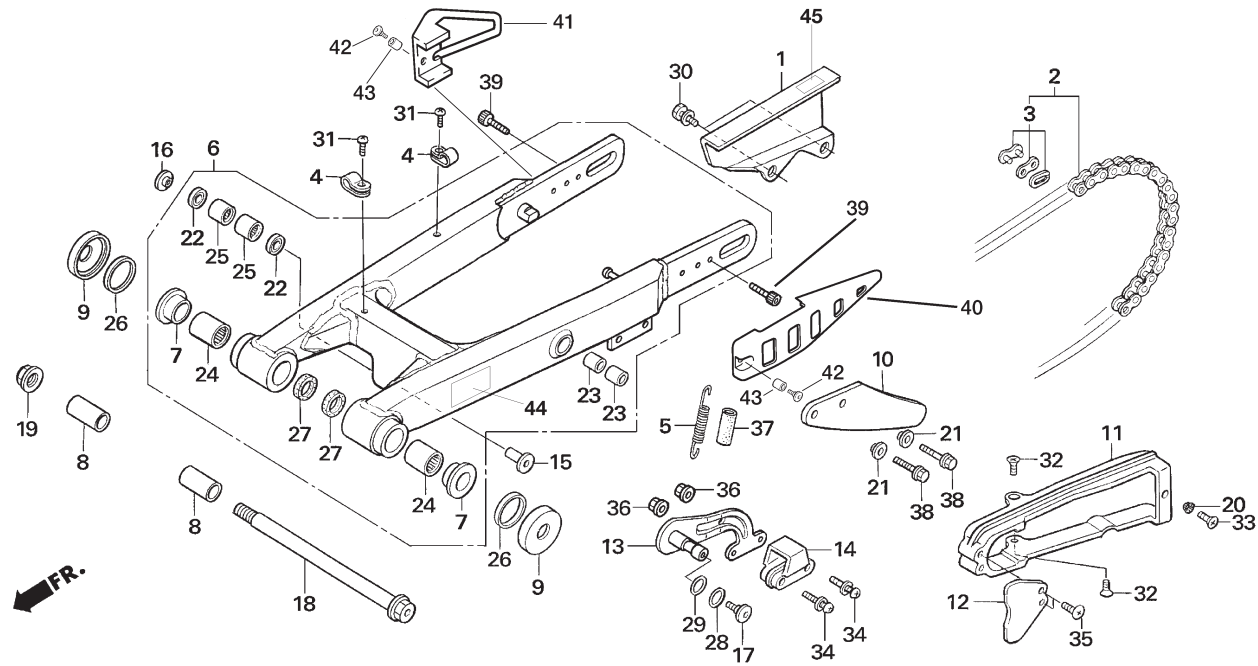
N° Ref.	N° Pieza	Descripción	Cant. '05	N° Ref.	N° Pieza	Descripción	Cant. '05
1	50530-NN3-000	BAR COMP., SIDE STAND	1	16	90751-MAK-000	PIN, SPLIT 2X16	2
2	50541-MBL-610	SPRING, SIDE STAND	1	17	94002-10000-0S	NUT, HEX 10mm	1
3	50536-NN4-600	BRACKET, SIDE STAND	1	18	94102-08000	WASHER, PLAIN 8mm	2
4	50600-NN4-000	BRKT COMP., R. STEP	1	19	96300-08025-00	BOLT, FLANGE DR 8X25	2
5	50603-MAK-000	PIN, P. STEP BAR	2	20	50542-MBL-610	SPRING, SIDE STAND SUB	1
6	50604-NN3-000	COLLAR, STEP	2	21	35342-NN4-600	COLLAR, REAR BRAKE	1
7	50616-NN4-000	ARM R., STEP	1	22	35350-NN4-600	SWITCH ASSY, REAR BRAKE	1
8	50617-NN3-000	SPG R., STEP RETURN	1				
9	50618-NN3-000	SPG L., STEP RETURN	1				
10	50642-NN4-000	ARM L., STEP	1				
11	50700-NN4-000	BRKT COMP., L. STEP	1				
12	90108-283-000	SCREW, SIDE STAND PIVOT	1				
13	90113-NN4-000	BOLT, SOCKET 8X33	4				
14	90309-KF0-003	NUT, FLANGE 8mm	4				
15	90572-KV3-300	RUBBER, SEPARATOR MOUNT	1				



Block No.

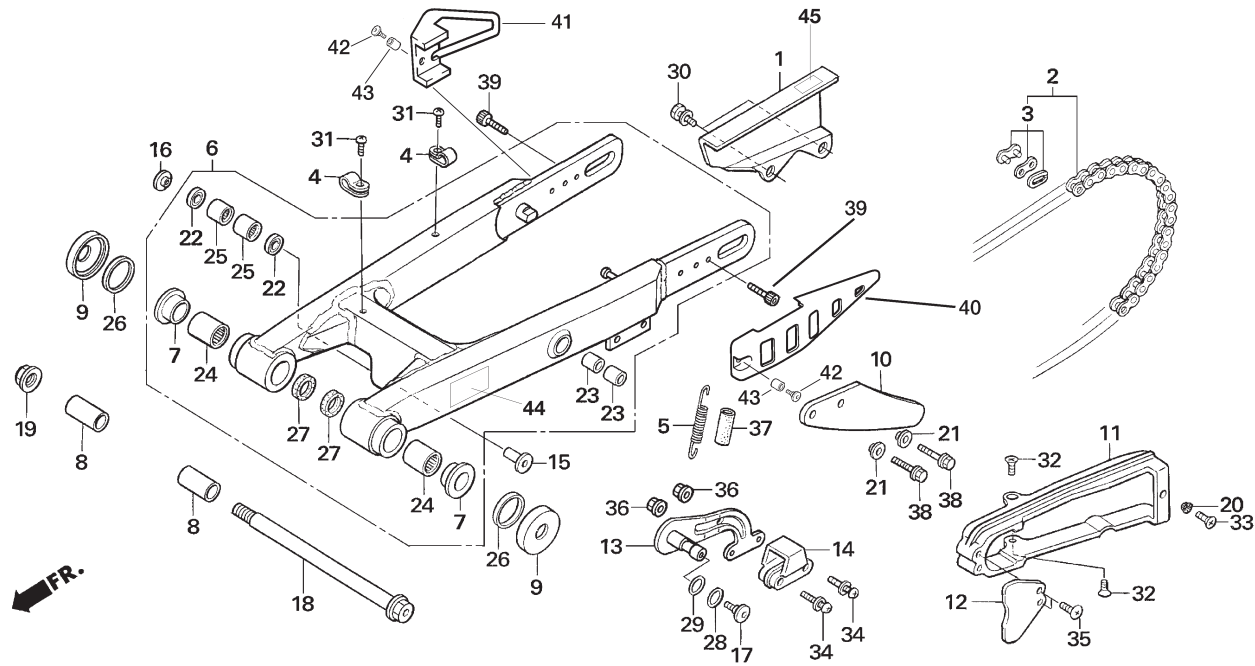
**F-19**

Swingarm



N° Ref.	N° Pieza	Descripción	Cant. '05	N° Ref.	N° Pieza	Descripción	Cant. '05
1	40510-NN3-000	CASE, DRIVE CHAIN	1	16	52464-NN3-010	COLLAR R., CUSH RINK.	1
2	40530-NN2-000	CHAIN, DRIVE	1	17	90102-GM2-000	BOLT, CHNG PEDAL SET	1
3	40531-NN2-000	JOINT, DRIVE CHAIN	1	18	90117-NN4-000	BOLT, SWINGARM PIVOT	1
4	43468-NN2-700	CLIP, RR BRK HOSE	2	19	90201-GC4-000	NUT, FLANGE 14mm	1
5	46514-KY2-700	SPG, BRAKE PEDAL RETURN	1	20	90502-NN4-000	WASHER SPL.	1
6	52100-NN4-000	SWINGARM ASSY.	1	21	90556-004-000	WASHER, FENDER SETTING.	2
7	52109-KA4-701	BUSH, PIVOT THRUST.	2	22	91051-NN1-000	SEAL, BRG 15X21X3	2
8	52141-NN2-000	COLLAR, RR FORK.	2	23	91052-NN0-000	BUSH, CHAIN TENSIONER	2
9	52144-KA3-731	CAP, DUST SEAL	2	24	91071-MA0-003	BEARING, PIVOT	2
10	52157-NN3-000	PROTECTOR, SPRKT	1	25	91071-NN1-000	BRG, NEEDLE 15X21X12.	2
11	52170-NN4-000	SLIDER, CHAIN	1	26	91253-KA3-731	DUST SEAL 32X36.8X8	2
12	52171-NN3-000	COVER, SPRKT.	1	27	91254-KS6-003	DUST SEAL 20X2.6X4.5.	2
13	52181-NN4-000	TENSIONER COMP., CHAIN.	1	28	91305-422-000	O-RING, 9.8X2.4.	1
14	52182-NN3-000	SLIPPER, CHAIN TENS.	1	29	91362-ZC3-000	O-RING, 13.8X2.4.	1
15	52463-NN3-010	COLLAR L., CUSH RINK.	1	30	93404-06014-00	BOLT-WASH, 6X14.	2

Block No.  
**F-19**  
Swingarm

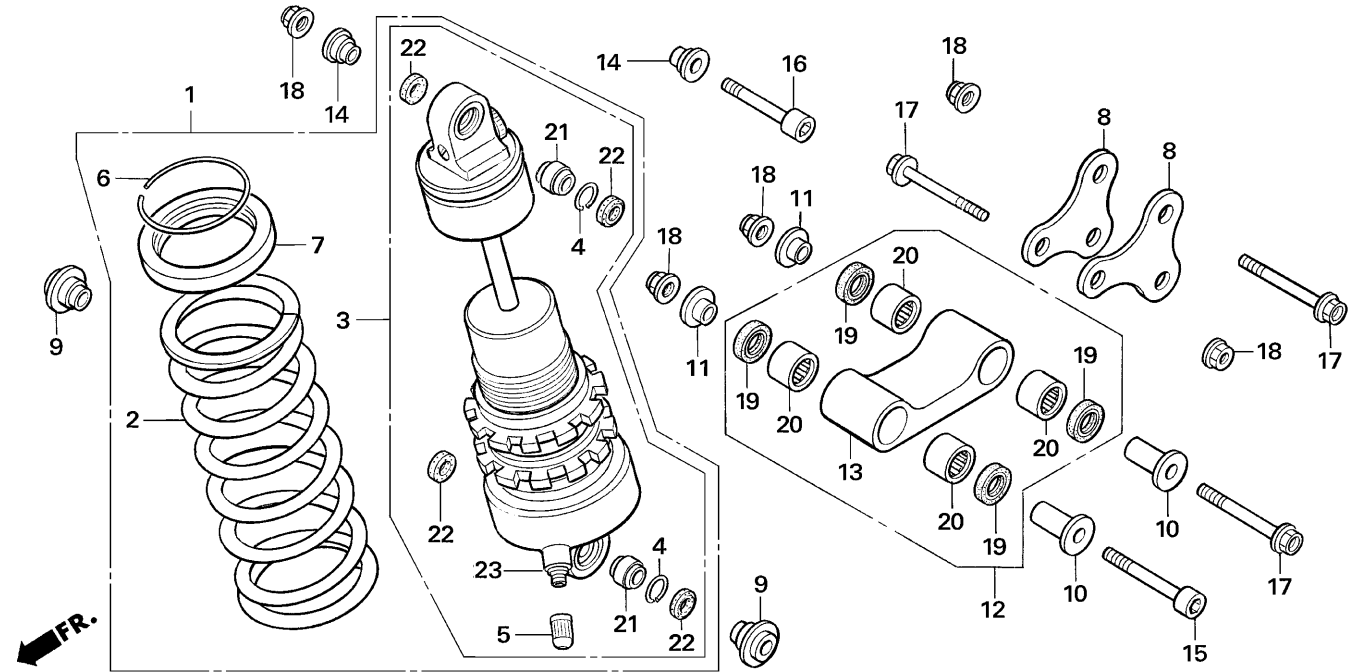


N° Ref.	N° Pieza	Descripción	Cant. '05	N° Ref.	N° Pieza	Descripción	Cant. '05
31	93500-05008-0A	SCREW, PAN 5X8. . . . .	2				
32	93600-05012-0G	SCREW, FLAT 5X12 . . . . .	2				
33	93600-05016-0G	SCREW, FLAT 5X16 . . . . .	1				
34	93891-05032-00	SCREW-WASH, 5X32. . . . .	2				
35	93913-15280	SCREW, TAPPING 5X12. . . . .	2				
36	94050-05000	NUT, FLANGE 5mm. . . . .	2				
37	95003-43004-20	V.TUBE, 13X15X40. . . . .	1				
38	96001-06012-00	BOLT, FLANGE SH 6X12 . . . . .	2				
39	96600-06010-00	BOLT, SOCKET 6X10 . . . . .	2				
40	40535-NN4-600	PROTECTOR, FINAL DRIVEN. . . . .	1				
41	50535-NN4-600	PROTECTOR, REAR BRAKE. . . . .	1				
42	90111-NN4-600	BOLT SOCKET 6x12. . . . .	2				
43	90504-NN4-600	COLLAR . . . . .	2				
44	87505-NN4-600	LABEL, TIRE. . . . .	1				
45	87507-NN4-600	LABEL, DRIVE CHAIN. . . . .	1				

Block No.

**F-20**

Rear cushion

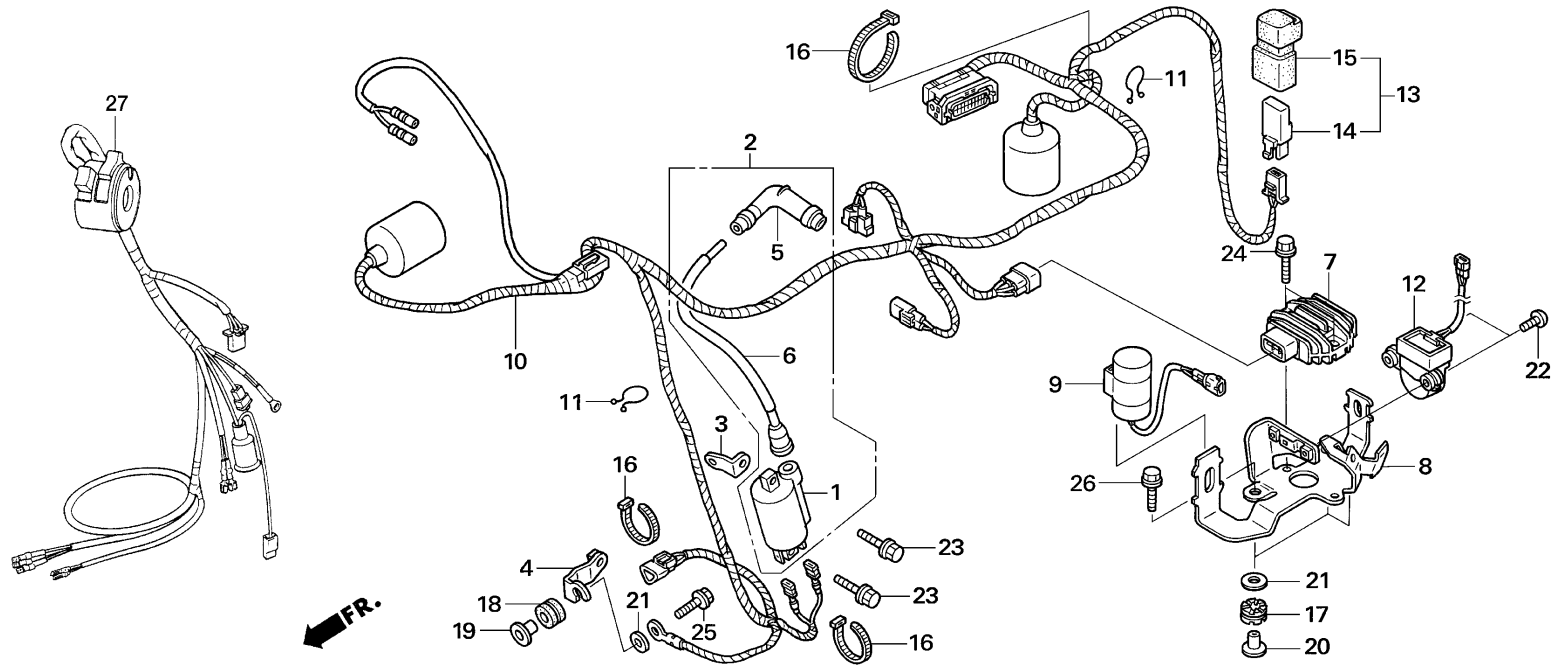


N° Ref.	N° Pieza	Descripción	Cant. '05	N° Ref.	N° Pieza	Descripción	Cant. '05
1	52400-NN4-601	CUSHION ASSY., RR	1	16	90121-NN4-000	BOLT, SOCKET 10X45	1
2	52401-NN4-003	SPRING, REAR CUSH	1	17	90182-NN3-000	BOLT, FLANGE 10X57	3
3	52410-NN4-600	DAMPER COMP, REAR	1	18	90304-GA6-003	NUT, AXLE	5
4	52424-GC4-831	RING, STOPPER	2	19	91051-NN1-000	SEAL, BRG 15X21X3	4
5	52425-169-003	CAP, AIR VALVE	1	20	91071-NN1-000	BRG, NEEDLE 15X21X12	4
6	52435-NN3-003	RING, STOPPER	1	21	91074-NN3-003	BEARING, SPHERICAL	2
7	52459-NN3-003	SEAT, SPRING	1	22	91351-GS2-701	DUST SEAL, CUSHION UPPER	4
8	52461-NN3-000	ARM, CUSH	2	23	52426-NN3-003	REAR CUSHION, AIR VALVE	1
9	52462-NN3-000	COLLAR A, CUSH ARM	2				
10	52463-NN3-010	COLLAR L., CUSH RINK	2				
11	52464-NN3-010	COLLAR R., CUSH RINK	2				
12	52470-NN3-000	ROD ASSY., CUSH CONN	1				
13	52471-NN3-000	ROD, CUSH CONN	1				
14	52486-NN3-000	COLLAR, CUSH UP	2				
15	90120-NN3-000	BOLT, SOCKET 10X57	1				

Block No.

**F-21**

Wire harness

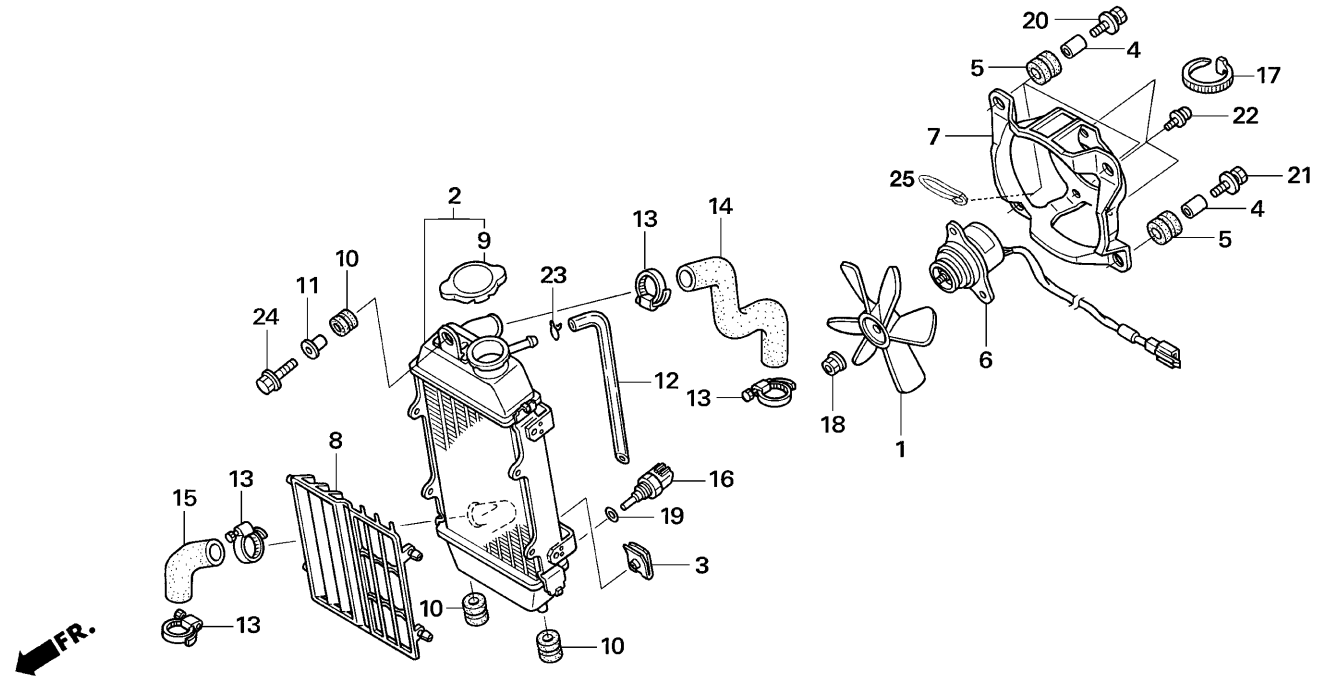


N° Ref.	N° Pieza	Descripción	Cant. '05	N° Ref.	N° Pieza	Descripción	Cant. '05
1	30500-ML7-013	COIL COMP, IGN . . . . .	1	16	61312-NN2-900	TIE-BAND . . . . .	N
2	30510-NN4-000	COIL ASSY., IGN . . . . .	1	17	77208-KW7-900	RUBBER B, SEAT MOUNT . . . . .	3
3	30513-NN4-000	STAY UP, IG COIL . . . . .	1	18	80101-028-940	RUBBER, SPDMT. SETTING . . . . .	1
4	30514-NN4-000	STAY LWR, IG COIL . . . . .	1	19	83601-357-000	COLLAR, COVER SET . . . . .	1
5	30700-KA2-013	CAP ASSY., NOISE (SUPPRESSOR) . . . . .	1	20	90501-425-000	COLLAR, 6.2X12 . . . . .	3
6	30731-NN4-000	CORD ASSY., HIGH/T . . . . .	1	21	90525-030-000	WASHER B, HANDLE HOLDER . . . . .	4
7	31600-NN4-003	REG. RECT. ASSY. . . . .	1	22	93500-04020-0A	SCREW, PAN 4X20 . . . . .	2
8	31605-NN4-000	STAY, ELECTRIC . . . . .	1	23	96001-06018-00	BOLT, FLANGE SH 6X18 . . . . .	2
9	31700-NN4-003	UNIT ASSY., CONDENSER . . . . .	1	24	96001-06020-00	BOLT, FLANGE SH 6X20 . . . . .	2
10	32100-NN4-000	HARNESS, WIRE . . . . .	1	25	96001-06022-00	BOLT, FLANGE SH 6X22 . . . . .	1
11	32171-GF9-621	PURSE LOCK . . . . .	2	26	96001-06022-00	BOLT, FLANGE SH 6X22 . . . . .	3
12	35160-NN4-030	SENSOR ASSY., BANK ANGLE . . . . .	1	27	35150-NN3-740	SWITCH ASSY., KILL . . . . .	1
13	38500-GC7-612	RELAY ASSY., START . . . . .	1				
14	38501-GN2-014	RELAY COMP., START (4P, NO) . . . . .	1				
15	38506-GC7-611	SUSP., START RELAY . . . . .	1				

Block No.

**F-22**

Radiator

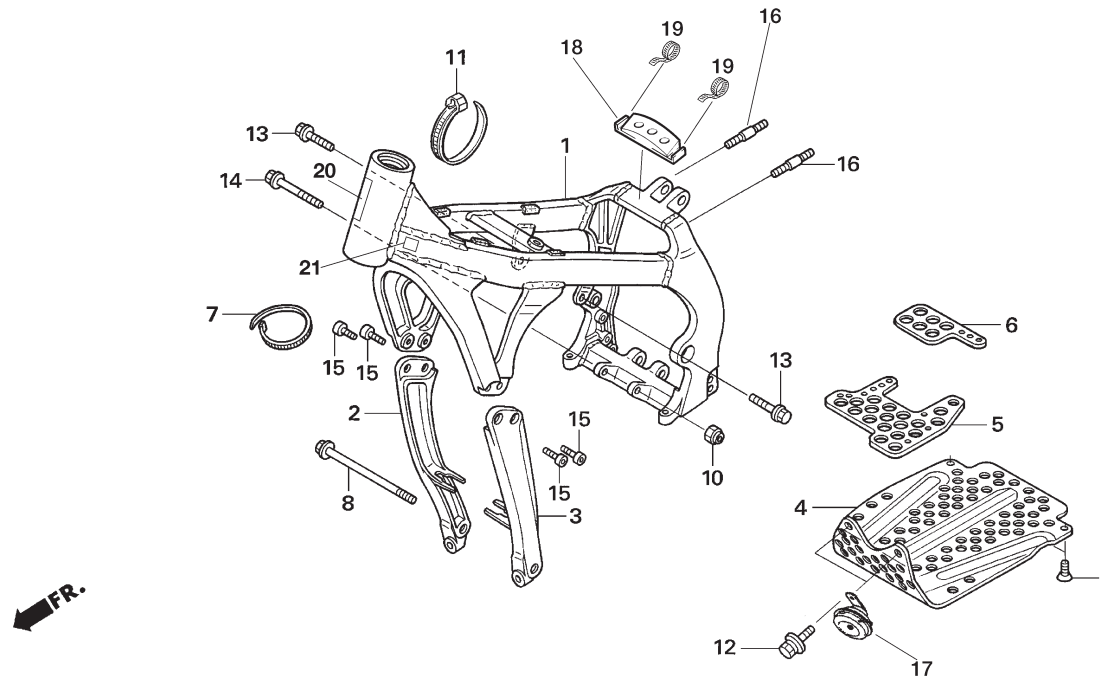


N° Ref.	N° Pieza	Descripción	Cant. '05	N° Ref.	N° Pieza	Descripción	Cant. '05
1	19009-KT7-000	FAN COMP., COOLING . . . . .	1	16	37870-NN4-003	SENSOR ASSY., TW. . . . .	1
2	19010-NN4-000	RADIATOR COMP. . . . .	1	17	61312-NN2-900	TIE-BAND . . . . .	2
3	19014-KEA-003	SET, NUT . . . . .	4	18	90308-KM3-003	NUT, TOOTHED 3mm . . . . .	1
4	19021-NN2-900	COLLAR, FAN SHROUD . . . . .	4	19	90454-MC7-000	WASHER, SPECIAL 12mm . . . . .	1
5	19022-NN2-900	RUB, FAN SHROUD . . . . .	4	20	93404-06018-07	BOLT-WASHER 6X18 . . . . .	3
6	19030-NN4-003	MOTOR, COOLING FAN . . . . .	1	21	93404-06020-07	BOLT-WASH, 6X20 . . . . .	1
7	19031-NN4-000	SHROUD, FAN . . . . .	1	22	93891-04010-00	SCREW-WASH, 4X10 . . . . .	3
8	19033-NN4-000	GRILL, RADIATOR . . . . .	1	23	95002-02100	CLIP C10, TUBE . . . . .	1
9	19037-GEE-710	CAP COMP., RAD . . . . .	1	24	96001-06028-00	BOLT, FLANGE SH 6X25 . . . . .	1
10	19051-KA3-830	RUBBER, RAD MOUNT . . . . .	3	25	90601-KJ9-000	CLIP . . . . .	1
11	19052-KA3-830	COLLAR, RAD MT . . . . .	1				
12	19111-NN4-000	TUBE, RADIATOR DRAIN . . . . .	1				
13	19504-KY1-003	CLAMP, WATER HOSE D25 . . . . .	4				
14	19531-NN4-000	HOSE UP, WATER. . . . .	1				
15	19532-NN4-000	HOSE LOW, WATER. . . . .	1				

Block No.

**F-23**

Frame body

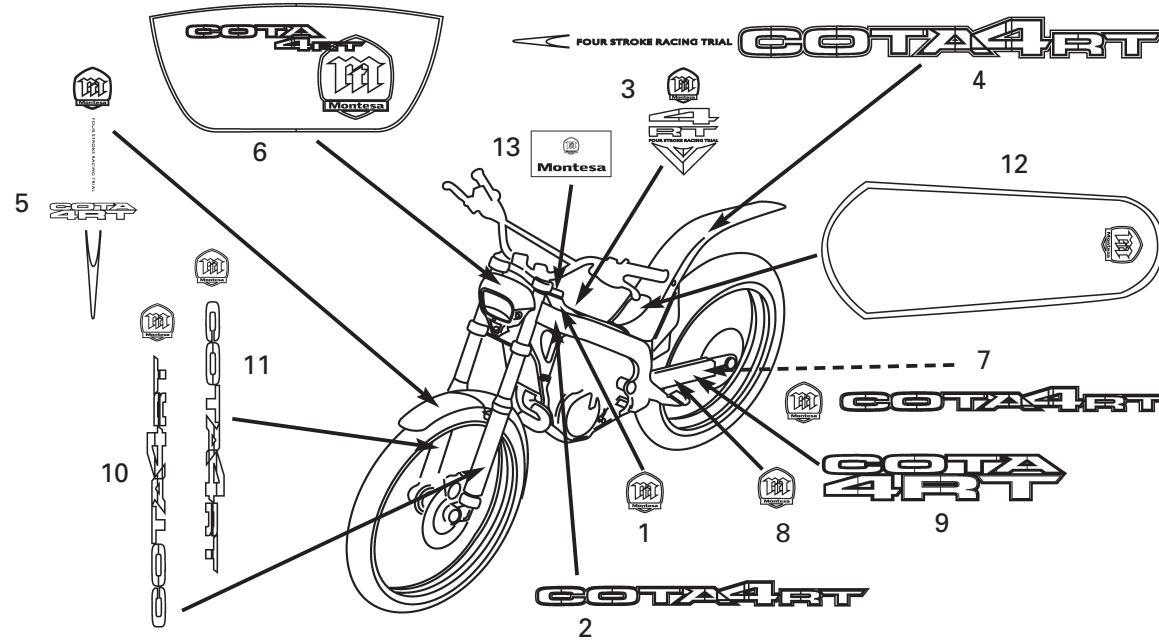


N° Ref.	N° Pieza	Descripción	Cant. '05	N° Ref.	N° Pieza	Descripción	Cant. '05
1	50100-NN4-600	FRAME BODY COMP.....	1	16	92900-06022-0B	BOLT, STUD 2. 6X22 .....	2
2	50310-NN4-600	TUBE R., DOWN.....	1	17	38116-KFT-620	HORN .....	1
3	50320-NN4-600	TUBE L., DOWN.....	1	18	80121-NN4-600	CUSHION RUBBER .....	1
4	50351-NN4-000	PLATE, SKID.....	1	19	61312-NN2-900	TIE BAND.....	2
5	50352-NN4-000	RUBBER A, ENG CUSH .....	1	20	87501-NN4-600H1	PLATE, FRAME NUMBER.....	1
6	50353-NN4-000	RUBBER B, ENG CUSH .....	1	21	87615-MAG-660H1	MARK, CE.....	1
7	61312-NN2-900	TIE-BAND .....	2				
8	90119-MJ0-000	BOLT, FLANGE 10X130 .....	1				
9	90125-NN2-900	SCREW, FLANT 8X20.....	2				
10	90304-GA6-003	NUT, AXLE .....	1				
11	90650-NN3-000	CLAMPER.....	1				
12	93405-08020-00	BOLT-WASH, 8X20 .....	2				
13	96300-08018-00	BOLT, FLANGE DR 8X18 .....	2				
14	96400-10085-00	BOLT, FLANGE DR 10X85 .....	1				
15	96700-08016-10	SOCKET BOLT, 8X16 .....	4				

Block No.

**F-24**

Emblem  
Stripe



N° Ref.	N° Pieza	Descripción	Cant. '05	N° Ref.	N° Pieza	Descripción	Cant. '05
1	87145-NN4-600	EMB. MONTESA F/T .....	2				
2	87131-NN4-600	MARK "COTA4RT" .....	2				
3	87134-NN4-600	CENTRAL FUEL TANK STICKER .....	1				
4	87135-NN4-600	STRIPE RR FENDER .....	1				
5	87133-NN4-600	STRIPE FR FENDER .....	1				
6	87143-NN4-600	STRIPE CASE H/L. ....	1				
7	87141-NN4-600	STRIPE FR R SWINGARM .....	1				
8	87144-NN4-600	EMB FR L SWINGARM .....	1				
9	87142-NN4-600	STRIPE FR L SWINGARM .....	1				
10	87140-NN4-600	STRIPEL FR FORK .....	1				
11	87139-NN4-600	STRIPE R FR FORK. ....	1				
12	87138-NN4-600	SEAT STRIPE RR FENDER .....	1				
13	86150-NN4-600	EMBLEMA "MONTESA" .....	1				

## PART No. INDEX '05

Part No.	Block No.	Part No.	Block No.	Part No.	Block No.	Part No.	Block No.
<b>11100</b>		<b>14000</b>		<b>16000</b>		17624-NN4-000	F-13
11100-NN4-000	E-11	14100-NN4-000	E-2	16211-NN4-000	E-1	17910-NN4-003	F-1
11103-444-000	E-11	14401-NN4-003	E-3	16213-NN4-600	E-1	<b>18000</b>	
11105-NN4-000	E-11	14430-NN4-000	E-2	16215-NN4-000	E-1	18291-NN4-000	F-16
11191-NN4-000	E-11	14440-NN4-000	E-2	16216-MCZ-000	E-1	18293-MN0-000	F-16
11200-NN4-000	E-11	14450-NN4-000	E-2	16400-NN4-003	E-16	18310-NN4-000	F-16
11206-NN4-000	E-11	14460-NN4-000	E-2	16420-NN4-000	E-16	18314-NN4-600	F-16
11330-NN4-000	E-5	14510-NN4-000	E-3	16700-NN4-000	F-13	18320-NN4-000	F-16
11340-NN4-010	E-9	14515-KF0-000	E-3	<b>17000</b>		18323-NN4-000	F-16
11350-NN4-000	E-5	14520-KRN-671	E-3	17113-KSC-670	E-1	18340-NN4-000	F-16
11352-NN4-003	E-5	14560-MEN-671	E-3	17211-NN4-000	F-15	18350-NN4-000	F-16
11394-NN4-000	E-5	14620-NN4-000	E-3	17212-NN4-000	F-15	18360-NN4-000	F-16
11395-NN4-000	E-9	14711-NN4-000	E-2	17213-NN4-000	F-15	18371-KCR-000	F-16
<b>12000</b>		14721-NN4-000	E-2	17230-NN4-000	F-15	18391-KEJ-900	F-16
12010-NN4-000	E-1	14751-NN4-000	E-2	17231-NN4-300	F-15	18601-MBW-003	E-11
12100-NN4-000	E-4	14752-NN4-000	E-2	17232-NN4-300	F-15	<b>19000</b>	
12191-NN4-003	E-4	14771-KW3-900	E-2	17236-NN3-830	F-15	19009-KT7-000	F-22
12203-KA5-690	E-1	14776-NN4-000	E-2	17253-NN4-000	F-15	19010-NN4-000	F-22
12209-ML0-722	E-2	14781-ML0-720	E-2	17255-KRJ-900	F-15	19014-KEA-003	F-22
12251-NN4-003	E-1	<b>15000</b>		17358-NN2-000	F-15	19021-NN2-900	F-22
12312-NN4-000	E-1	15111-NN4-000	E-7	17500-NN4-600	F-13	19022-NN2-900	F-22
12351-NN4-000	E-1	15133-NN4-000	E-7	17500-NN4A-600	F-24	19030-NN4-003	F-22
<b>13000</b>		15220-MEB-770	E-9	17506-NN4-000	F-13	19031-NN4-000	F-22
13000-NN4-000	E-12	15331-324-000	E-7	17509-NN4-000	F-13	19033-NN4-000	F-22
13011-NN4-000	E-12	15332-324-000	E-7	17510-NN4-000	F-13	19037-GEE-710	F-22
13101-NN4-000	E-12	15412-MEN-671	E-11	17521-NN4-000	F-13	19051-KA3-830	F-16
13111-KRN-670	E-12	15412-NN4-000	E-11	17529-NN4-000	F-13	19051-KA3-830	F-22
13115-147-000	E-6	15414-MEB-670	E-11	17550-NN4-000	F-15	19052-KA3-830	F-16
13115-KM7-700	E-12	15421-NN4-000	E-11	17551-NN4-000	F-15	19052-KA3-830	F-22
13331-357-000	E-12	15611-KA3-710	E-5	17552-NN4-000	F-15	19111-NN4-000	F-22
13617-NN4-000	E-12	15650-NN4-000	E-11	17553-NN4-000	F-15	19215-GC4-731	E-8
		15707-634-000	F-15	17554-NN4-000	F-15	19221-NN4-000	E-8
				17574-NN4-000	F-13	19229-NN4-000	E-8
				17575-NN4-000	F-13	19240-NN4-000	E-8
				17621-NN4-000	F-13		



Part No.	Block No.	Part No.	Block No.	Part No.	Block No.	Part No.	Block No.
19504-KY1-003	F-22	23462-NN4-000	E-13	28282-NN4-000	E-15	34901-NN2-90	F-4
19531-NN4-000	F-22	23471-NN4-000	E-13	28300-NN4-000	F-17		
19532-NN4-000	F-22	23481-NN4-000	E-13	28302-NN4-000	F-17		
		23491-NN4-000	E-13	28306-MEN-670	F-17	<b>35000</b>	
		23801-NN4-000	E-13	28333-KK0-000	F-17	35130-NN4-600	F-1
<b>22000</b>						35150-NN3-740	F-21
22100-NN4-000	E-6					35160-NN4-030	F-21
22121-NN4-000	E-6	<b>24000</b>		<b>30000</b>		35342-NN4-600	F-18
22201-MEL-000	E-6	24211-KRN-730	E-14	30500-ML7-013	F-21	35350-NN4-600	F-2
22201-KY2-000	E-6	24221-KRN-730	E-14	30510-NN4-000	F-21	35350-NN4-600	F-18
22321-MG3-000	E-6	24231-NN4-000	E-14	30513-NN4-000	F-21	35351-NN4-600	F-2
22351-NN4-000	E-6	24241-MEN-670	E-14	30514-NN4-000	F-21		
22352-NN4-000	E-6	24242-MEN-670	E-14	30700-KA2-013	F-21	<b>37000</b>	
22361-NN4-000	E-6	24311-NN4-000	E-14	30731-NN4-000	F-21	37870-NN4-003	F-22
22402-NN4-000	E-6	24312-KA3-741	E-14				
22863-NN3-000	E-5	24315-HA0-000	E-14	<b>31000</b>		<b>38000</b>	
22864-NN3-000	E-5	24321-KZ4-620	E-14	31110-NN4-003	E-10	38116-KFT-620	F-23
22880-NN4-000	F-3	24322-MM4-000	E-14	31120-NN4-003	E-10	38300-NN3-740	F-4
22882-NN3-830	F-2	24324-KA3-711	E-14	31121-NN4-000	E-10	38500-GC7-612	F-21
22882-NN3-830	F-3	24325-KA3-711	E-14	31600-NN4-003	F-21	38501-GN2-014	F-21
22883-NN3-306	F-2	24326-KBH-901	E-14	31605-NN4-000	F-21	38506-GC7-611	F-21
22883-NN4-000	F-3	24328-NN4-000	E-14	31700-NN4-003	F-21		
22886-NN3-307	F-2	24329-KA3-740	E-14			<b>40000</b>	
22886-NN4-000	F-3	24430-NN4-000	E-14	<b>32000</b>		40510-NN3-000	F-19
22900-NN4-000	F-3	24435-KZ4-690	E-14	32100-NN4-000	F-21	40530-NN2-000	F-19
		24610-NN4-000	E-14	32171-GF9-621	F-21	40531-NN2-000	F-19
		24651-MEB-670	E-14			40535-NN4-600	F-19
<b>23000</b>		24652-HA0-000	E-14	<b>33000</b>		40544-NN4-000	F-12
23121-NN4-000	E-12	24700-NN4-000	F-17	33100-NN3-740	F-4		
23211-NN4-000	E-13			33101-NN3-740	F-4	<b>41000</b>	
23221-NN4-000	E-13			33400-NN3-740	F-4	41205-NN4-000	F-12
23225-KS6-000	E-13	<b>28000</b>		33450-NN3-740	F-4	41206-NN4-600	F-12
23411-NN4-000	E-13	28210-NN4-000	E-15	33490-NN4-600	F-4	41207-NN4-600	F-12
23413-NN4-000	E-13	28230-NN4-000	E-15	33491-NN4-600	F-4		
23421-NN4-000	E-13	28237-KZ4-A10	E-6	33600-NN3-740	F-14	<b>42000</b>	
23422-GB4-770	E-13	28241-KA3-710	E-15	33650-NN3-740	F-14	42301-NN3-000	F-12
23431-NN4-000	E-13	28242-KA3-710	E-15	33700-NN4-600	F-14	42311-NN2-000	F-12
23441-NN4-000	E-13	28251-NN4-000	E-15			42312-NN2-000	F-12
23451-NN4-000	E-13	28261-KA3-710	E-15			42602-NN4-000	F-12
23452-NN4-000	E-13	28262-NN4-010	E-15	<b>34000</b>		42603-NN4-000	F-12
23461-NN4-000	E-13	28263-NN4-000	E-15				





Part No.	Block No.	Part No.	Block No.	Part No.	Block No.	Part No.	Block No.
90441-ME9-000	E-11	90608-072-000	E-6	91211-KA3-761	E-8	93891-05032-00	F-19
90441-MR1-770	E-1	90650-NN3-000	F-23	91253-KA3-731	F-19	93913-14180	F-4
90442-397-000	E-3	90751-GK1-003	E-9	91254-KS6-003	F-19	93913-14180	F-15
90446-357-000	E-13	90751-MAK-000	F-18	91301-PCL-000	E-16	93913-15280	F-19
90446-NN4-000	E-1	90841-444-000	E-11	91302-PA9-003	E-11		
90447-KE1-000	E-8			91303-377-000	E-9		
90451-155-000	E-14			91303-436-003	E-1	<b>94000</b>	
90452-178-000	E-15	<b>91000</b>		91303-HA0-003	E-11	94001-06000-0S	F-17
90452-323-000	E-1	91001-147-003	E-6	91305-422-000	F-19	94001-06000-0S	F-4
90452-KZ4-000	E-13	91001-GG2-003	F-17	91305-422-000	F-19	94001-08000-0S	F-9
90453-KZ4-000	E-13	91001-KA3-711	E-11	91305-PH7-003	E-5	94002-10000-0S	F-18
90454-GF9-000	E-9	91001-KA4-003	E-8	91311-MR7-003	F-7	94050-05000	F-19
90454-MC7-000	F-22	91001-KRN-671	E-11	91312-371-013	E-5	94050-06000	F-15
90456-333-000	E-8	91001-KZ4-J11	E-11	91312-NN3-003	E-5	94050-06000	F-15
90456-KS6-000	E-6	91002-NN4-003	E-11	91316-MJ8-003	E-11	94050-06000	F-16
90461-444-000	E-13	91004-KRN-671	E-11	91320-KE1-000	E-5	94101-06000	F-16
90463-ML7-000	E-1	91004-KY4-900	E-11	91320-KE1-000	E-8	94102-08000	F-18
90463-ML7-000	E-4	91006-HA0-003	E-11	91351-GS2-701	F-20	94103-06000	F-16
90463-ML7-000	E-8	91007-NN4-003	E-2	91351-KA3-711	E-13	94111-04000	F-1
90482-567-000	E-3	91008-NN4-003	E-9	91362-ZC3-000	F-19	94111-08000	F-9
90501-425-000	F-21	91011-KS6-003	E-6	91370-461-000	E-2	94301-08100	E-9
90501-444-000	E-15	91012-KA3-710	E-11	91406-SL4-931	F-13	94301-08140	E-1
90501-ML3-910	E-6	91015-425-831	F-5			94301-08140	E-5
90501-NN4-003	E-13	91022-KA4-740	E-11	<b>92000</b>		94301-08140	E-11
90502-NN4-000	F-19	91051-NN1-000	F-19	92900-06022-0B	F-23	94301-12200	E-1
90504-NN4-600	F-19	91051-NN1-000	F-20			94301-12200	E-4
90505-NN4-600	F-4	91052-NN0-000	F-19	<b>93000</b>		94510-14000	E-14
90525-030-000	F-21	91071-MA0-003	F-19	93301-06016-0A	E-14	94510-16000	E-15
90544-KS7-003	F-7	91071-NN1-000	F-19	93301-06016-0A	E-15	94520-14000	E-9
90545-300-000	F-2	91071-NN1-000	F-20	93404-06014-00	F-19	94520-19000	E-11
90545-300-000	F-3	91074-NN3-003	F-20	93404-06018-07	F-22	94520-28000	E-9
90545-300-000	F-11	91201-148-003	E-8	93404-06020-07	F-22		
90556-004-000	F-19	91201-951-003	F-17	93405-08020-00	F-23	<b>95000</b>	
90572-KV3-300	F-18	91201-KS6-004	E-11	93500-04012-1A	F-1	95002-02079	E-16
90601-360-000	E-13	91201-MEB-671	E-11	93500-04020-0A	F-21	95002-02100	E-11
90601-NN4-600	F-13	91202-MEB-671	E-11	93500-05008-0A	F-19	95002-02100	F-15
90601-KJ9-000	F-22	91202-NN4-003	E-9	93600-05012-0G	F-19	95002-02100	F-22
90602-NN4-600	F-15	91203-KA4-771	E-11	93600-05012-0G	F-19	95002-40850-08	F-11
90602-360-000	E-13	91204-HB3-004	E-11	93600-06010-0H	E-11	95003-43004-20	F-19
		91205-KA3-712	E-5	93891-04010-00	F-22	95005-35200-20	E-16





**MONTESA HONDA S.A.**  
**Service Dpt.**

**PLC-COTA 4RT**  
**(V 1.0) 4-11-04**



FOUR STROKE RACING TRIAL

**COTA4RT**