

Deel 45: MASCO MA17



Maes Frank

Frank.maes6@telenet.be

0476501034

Versterker van : Tim ielegems

- info@shakedowntim.be
- Masco Ma17 van het jaar 1941. Mijn Weber speaker is een sig 12.
- Schema's:
- <http://www.tdpri.com/forum/amp-central-station/280730-nad-vintage-find-pdx-craigs-list.html>
- http://www.radiomuseum.org/r/masco_ma_17ma1.html
- https://www.google.be/search?q=masco+ma+17+schematic&sa=X&rlz=1C1ARAA_enBE432BE466&es_sm=93&biw=928&bih=517&tbm=isch&tbo=u&source=univ&ei=LoxVvcM0YutU7bxglgO&ved=0CB8QsAQ#imgsrc=lowEfw1ABKOaEM%253A%3B7U_5QmjtWwwm7M%3Bhttp%253A%252F%252Fwww.vintage-amplifier.com%252Fwp-content%252Fuploads%252F2012%252F10%252FMasco-Western-Electric-MA-17-AMP.jpg%3Bhttp%253A%252F%252Fwww.vintage-amplifier.com%252Fmasco-western-electric-ma-17-amp%252F%3B1015%3B704
- <http://www.angelfire.com/vt/audio/index.html#schematics>
- <http://www.angelfire.com/vt/audio/ma35schem.jpg>



MAES Frank Masco Ma17



MAES Frank Masco Ma17

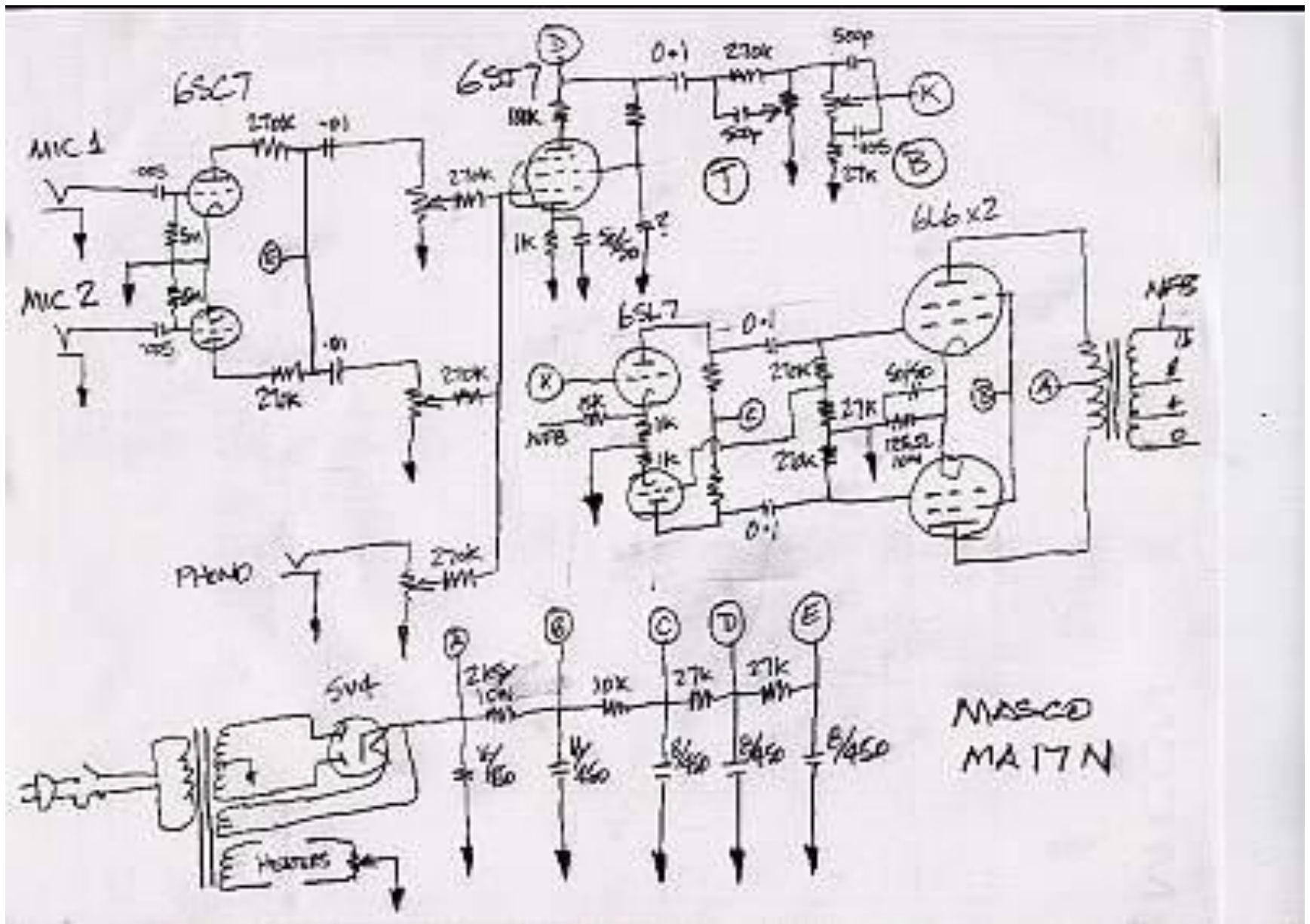


MAES Frank Masco Ma17



MAES Frank Masco Ma17

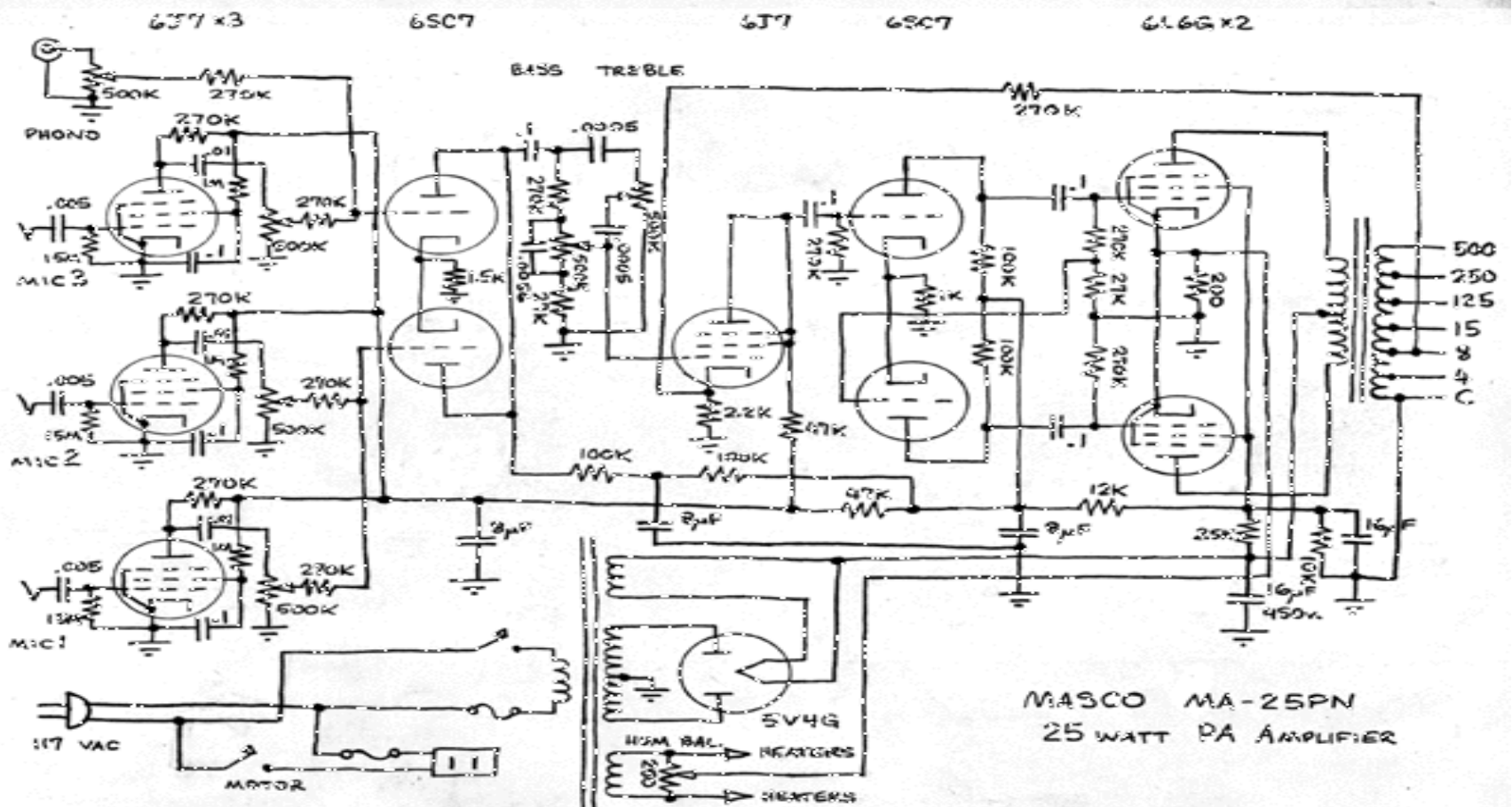


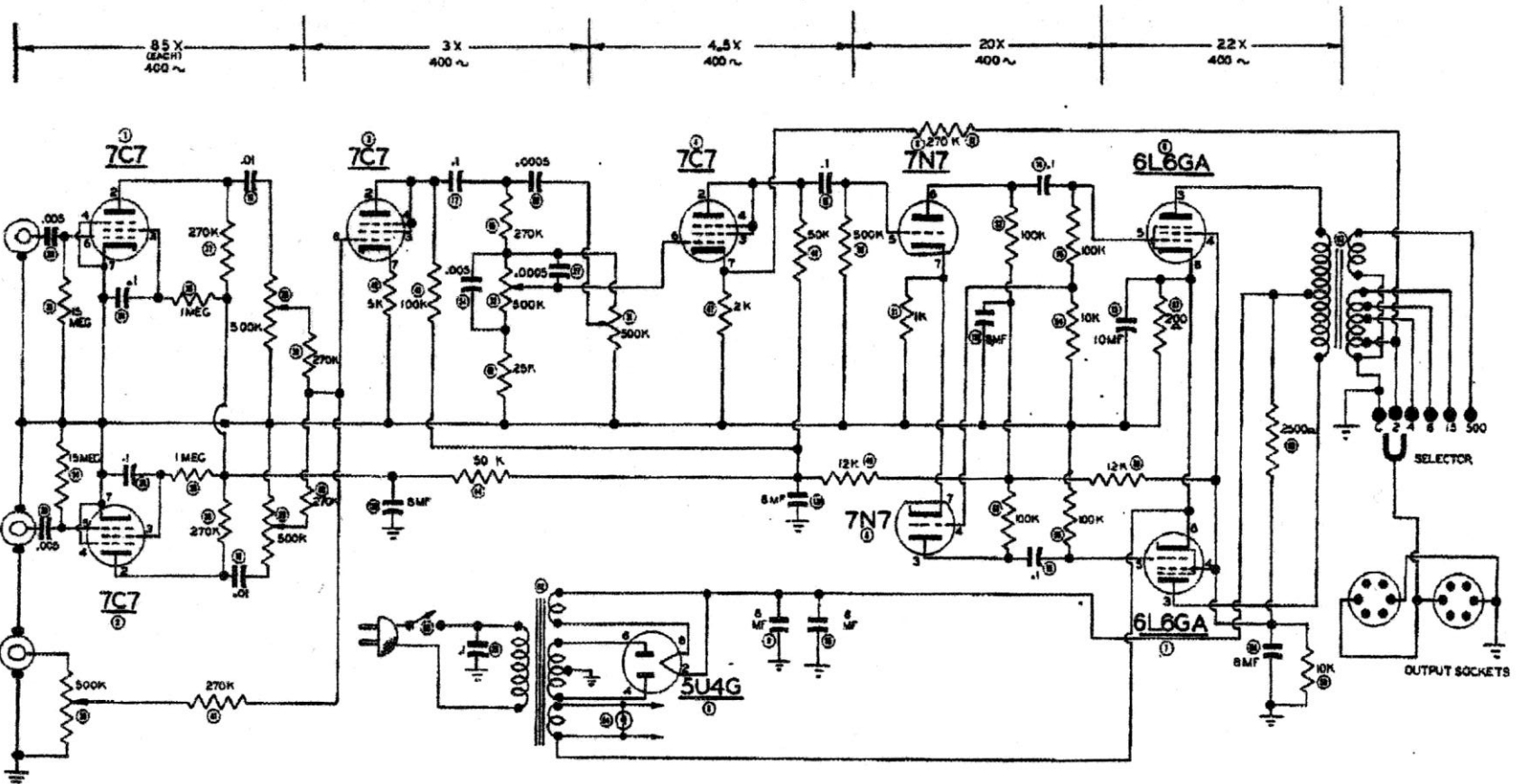




<http://www.angelfire.com/vt/audio/masco.html>

Masco MA-25





4711-20

MASCO MA-35

MA-35N & MA-35RCN

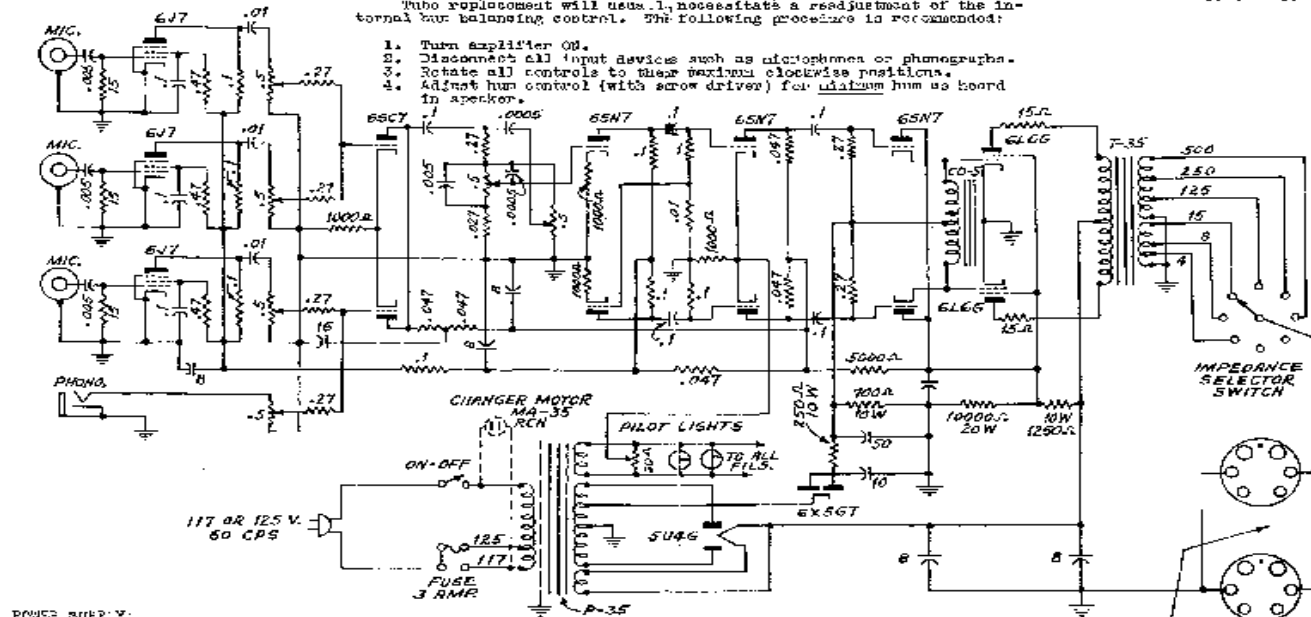
Masco

MASCO PA PAGE 1-15, 41
MODELS MA-35N, MA-35RCN

MARK SIMPSON MFG. CO., INC.

Tube replacement will usually necessitate a readjustment of the internal bias balancing control. The following procedure is recommended:

1. Turn amplifier OFF.
2. Disconnect all input devices such as microphones or phonographs.
3. Rotate all controls to their maximum clockwise positions.
4. Adjust hum control (with screw driver) for minimum hum as heard in speaker.



POWER SUPPLY:

The amplifier is designed to operate from 115 volts to 135 volts 60 cps. alternating current (AC).

The amplifier has internal provision to compensate for abnormal line voltage conditions. When the measured line voltage is 117 volts or less, the fuse box on the rear of the amplifier should be opened and the fuse transferred to the clips marked 117 V. For line voltages over 117 volts no change is necessary and the fuse is left in the 125 V. position. When the exact line voltage cannot be measured, leave the fuse in the 125 V. position.

UNLESS OTHERWISE SPECIFIED:
ALL RESISTORS IN MEGOHMS (1/2 WATT).
ALL CAPACITORS IN MICROFARADS.

NOTE: ALWAYS REMOVE THE LINE CORD PLUG FROM THE AC RECEPTACLE BEFORE OPENING THE FUSE BOX. DO NOT REPLACE THE FUSE UNTIL THE FUSE BOX IS CLOSED.